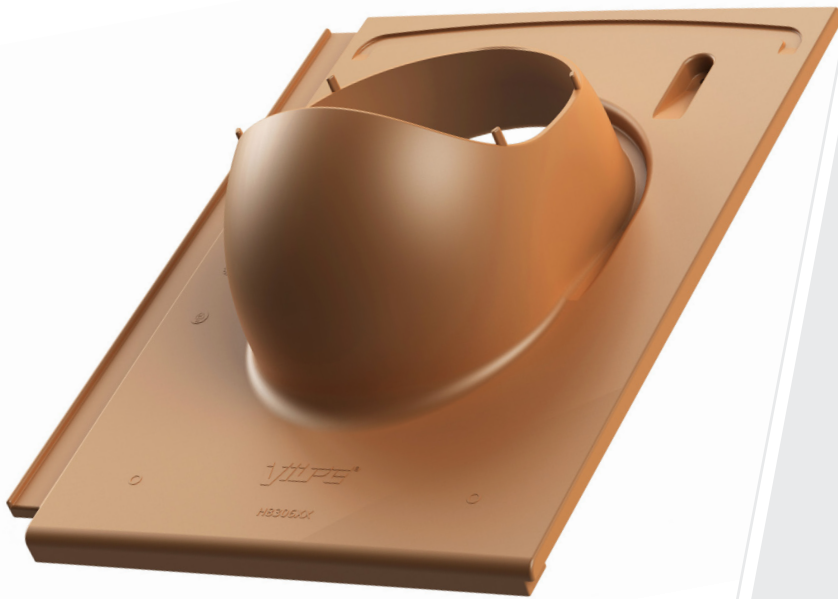


## VILPE<sup>®</sup> EVO 2K pass-through for Ormax EVO/Monier Braas Teviva/Braas Tegalit tile roofings



### New VILPE<sup>®</sup> EVO 2K is a pass-through for plain tiles

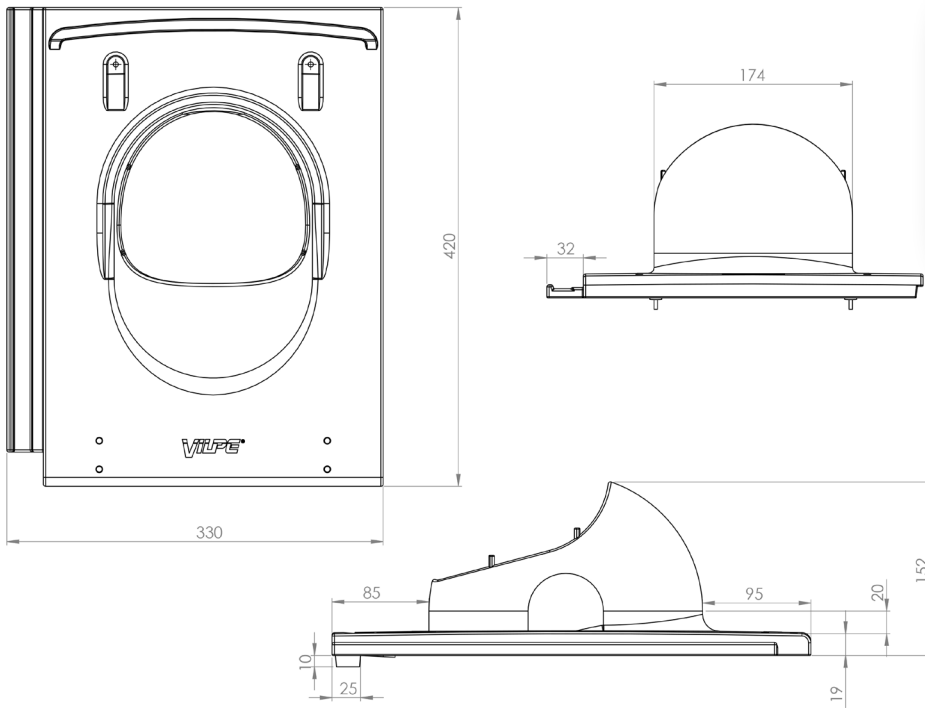
VILPE<sup>®</sup> EVO 2K pass-through is suitable for installing VILPE<sup>®</sup> roof fans, exhaust pipes, ventilation pipes and aerial sleeves on plain tile roofings with tile length 420 mm and width 330 mm. VILPE<sup>®</sup> EVO 2K pass-through is for pipes with inner Ø of 75, 110, 125 or 160 mm.

The product set includes VILPE<sup>®</sup> 2K sealing for underlay, the new-generation VILPE<sup>®</sup> solution for perfect sealing. The two-component 2K sealing straddles the underlay and the top of the pass-through, thus sealing the hole between completely and preventing any snow, rainfall or humidity reaching roof structures or the insulating material. The sealing in the bottom of the pass-through guarantees a fully waterproof end result.

Installation of VILPE<sup>®</sup> EVO 2K pass-through is simple and easy since the package includes everything needed for assembly as well as instructions.



## Dimensions



## Material

VILPE® EVO 2K pass-through is produced by injection molding of through-dyed and UV resistant polypropylene (PP). This raw material is durable and has no harmful impact on the environment.

## Standard colours

-  Black  
Reference colour RAL 9017
-  Brown  
Reference colour RAL 8017
-  Grey  
Reference colour RAL 7015
-  Red  
Reference colour RAL 3009
-  Brick red  
Reference colour RAL 8004
-  Anthracite  
Reference colour RAL 7016

## Package

### Contents:

- VILPE® EVO pass-through
- VILPE® 2K underlay seal
- Fixing screws
- Installation instructions for the underlay seal and the pass-through

Package size: 445 x 320 x 225 mm



## Product numbers

NAME	COLOUR	PRODUCT NUMBER
VILPE® EVO 2K PASS THROUGH	black	300072
	brown	300074
	grey	300077
	red	300078
	brick red	300079
	anthracite	30007G

VILPE® EVO 2K pass through is designed and manufactured in Finland.