

MPS 500 EC I K 01

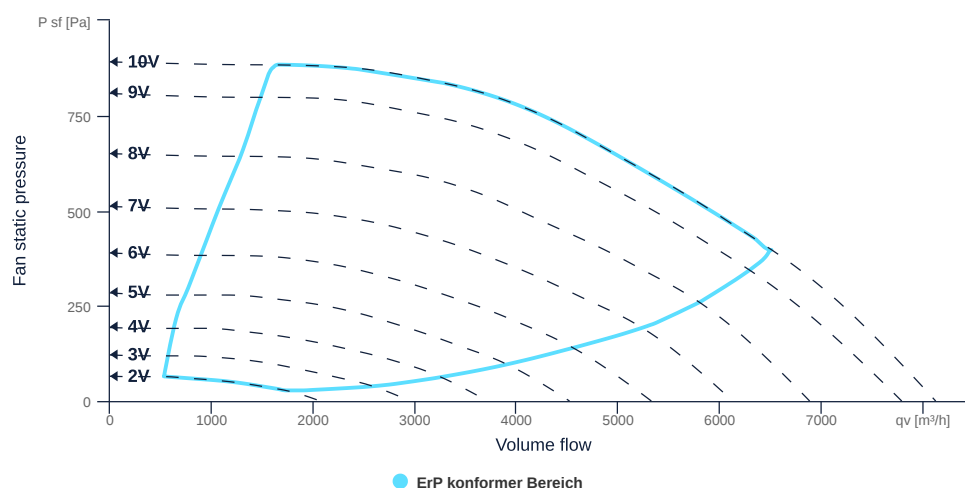
172168

- Centrifugal fan with backward curved impeller
- Double wall housing made of galvanized steel sheet, insulated
- Swing out fan unit
- With condensate and grease drain
- EC motor outside the airflow, steplessly controllable
- Conveyed medium temperature up to 120 °C in continuous operation



FAN CURVES

Name	Value	Unit
Volume flow	0	m³/h
Pressure	0	Pa



to the product detail page

MPS 500 EC I K 01

172168

GENERAL DATA

Name	Value	Unit	Formula symbol
Labeling	CE, UKCA		
Duct size	-		WxH _{duct}
Pipe connection size (DN)	DN400		DN
Rated voltage (entire device)	400	v	U _{rated}
Phases (entire device)	3~		phase
Electrical protection (entire device)	6 A		fuse
Housing material	Galvanized steel		mat _{casing}
Impeller material	Coated steel		mat _{impeller}
IP-protection class (entire device)	IPX4		IP _{compl}
IP-Protection class (terminal box)	IP55		IP _{ebox}
Weight	105	kg	m
Nominal air flow rate, nominal point m ³ /h	6508.8	CmH	q _{v,nom}
Nominal external pressure, static	397	Pa	p _{s,nom}
Fan type	Radial		Fan _{type}
Category / Installation situation	A		cat

ERP DATA (LOT 6)

Name	Value	Unit	Formula symbol
Nominal air flow rate, nominal point m ³ /s	1.81	CmS	q _{v,nom}
Actual electrical input power, nominal point	1.6	kw	P _{e,nom}
Face velocity, nominal point	14.39	mps	v _{nom}
Nominal external pressure, static	397	Pa	p _{s,nom}
static efficiency of the extract fan, nominal point	44.92	p	η _{es,EHA}
Enclosure sound level, nominal point	71.42	db	LWA2
Rating	Product is compliant 2018		



to the product detail page

MPS 500 EC I K 01

172168

ruck

MAXIMAL DATA

Name	Value		Unit	Formula symbol
	50 Hz	60 Hz		
Max. power consumption (device)	1555	1555	w	P _{ed, max}
Max. operating current (device)	2.56	2.56	A	I _{ed, max}
Max. speed	1500	1500	rpm	n _{max}
Max. stat. efficiency	59.9	59.9	p	η _{es}
Max. fan efficiency	64.7	64.7	p	η _e
Max. flowrate	8120	8120	CmH	Q _{v, max}
Max. stat pressure	890	890	Pa	p _{sf, max}
Max. medium temperature	120	120	°C	T _{m, max}
Max. environment temperature	50	50	°C	T _{amb, max}
Min. environment temperature	-20	-20	°C	T _{amb, min}

MOTOR DATA

Name	Value		Unit	Formula symbol
	50 Hz	60 Hz		
Rated frequency (device)		50		f
Motor type		EC		phase
Control type		stepless-controlled		ctrltype
Installation type		IRM (In)		install
Rotation direction		right		rotation
Isolation class		ISO F		ISOclass
Motor-protection		TEC		protectmotor
Protection class		IP55		IPmotor
Is pole-changeable		No		polexch
Type of power supply		AC 3~		pwrSupmotor
Rated voltage	400		v	U _{rated, f1}
Rated current	5		A	I _{rated, f1}
Nominal power	2200		w	P _a
Speed	1500		rpm	n _{f1}
Efficiency	90.2		p	η _{m, f1}
UL-Certification motor		None		ULcert

SMOKE EXTRACT DATA

Name	Value	Unit	Formula symbol
Fire resistance class	None		Fclass

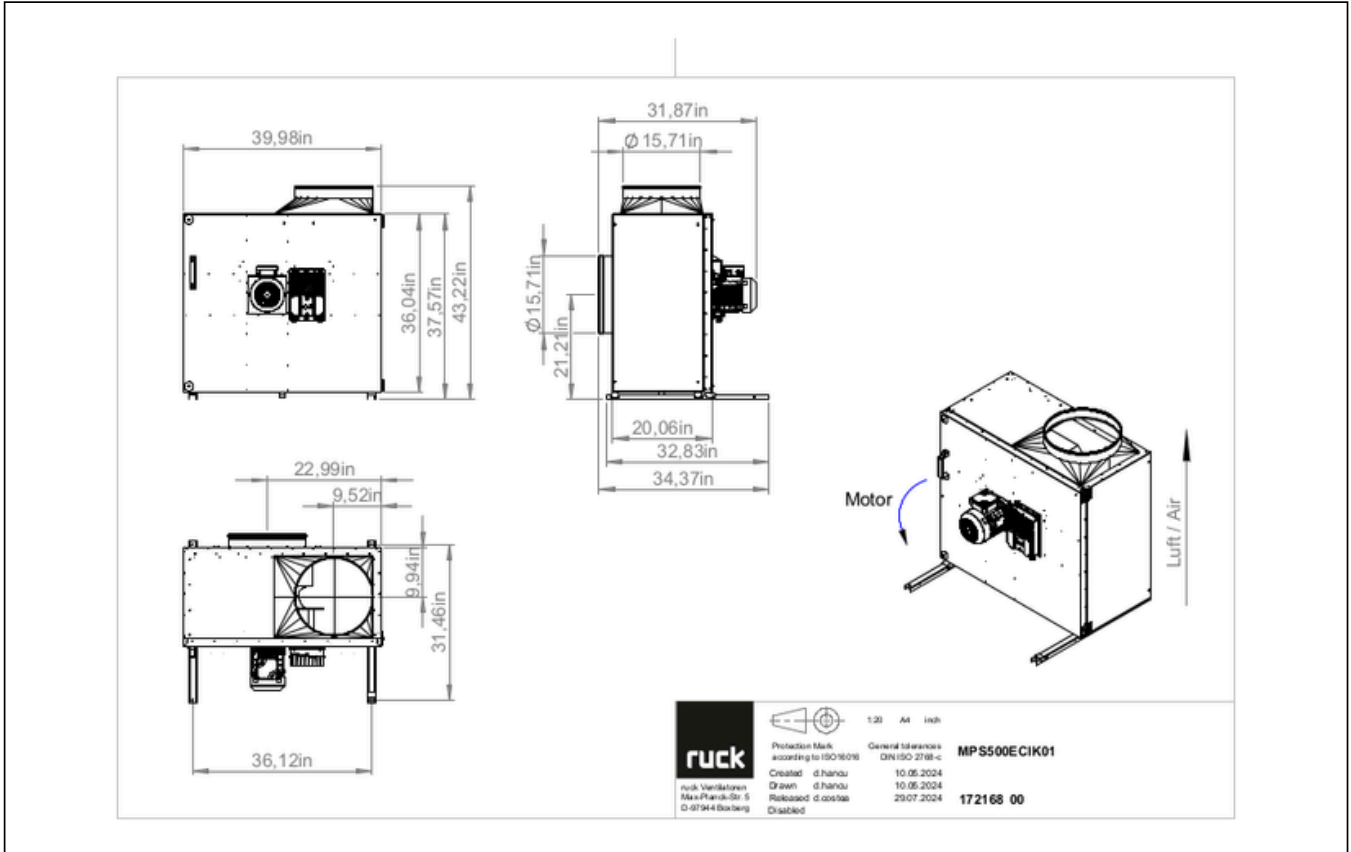


to the product detail page

MPS 500 EC I K 01

172168

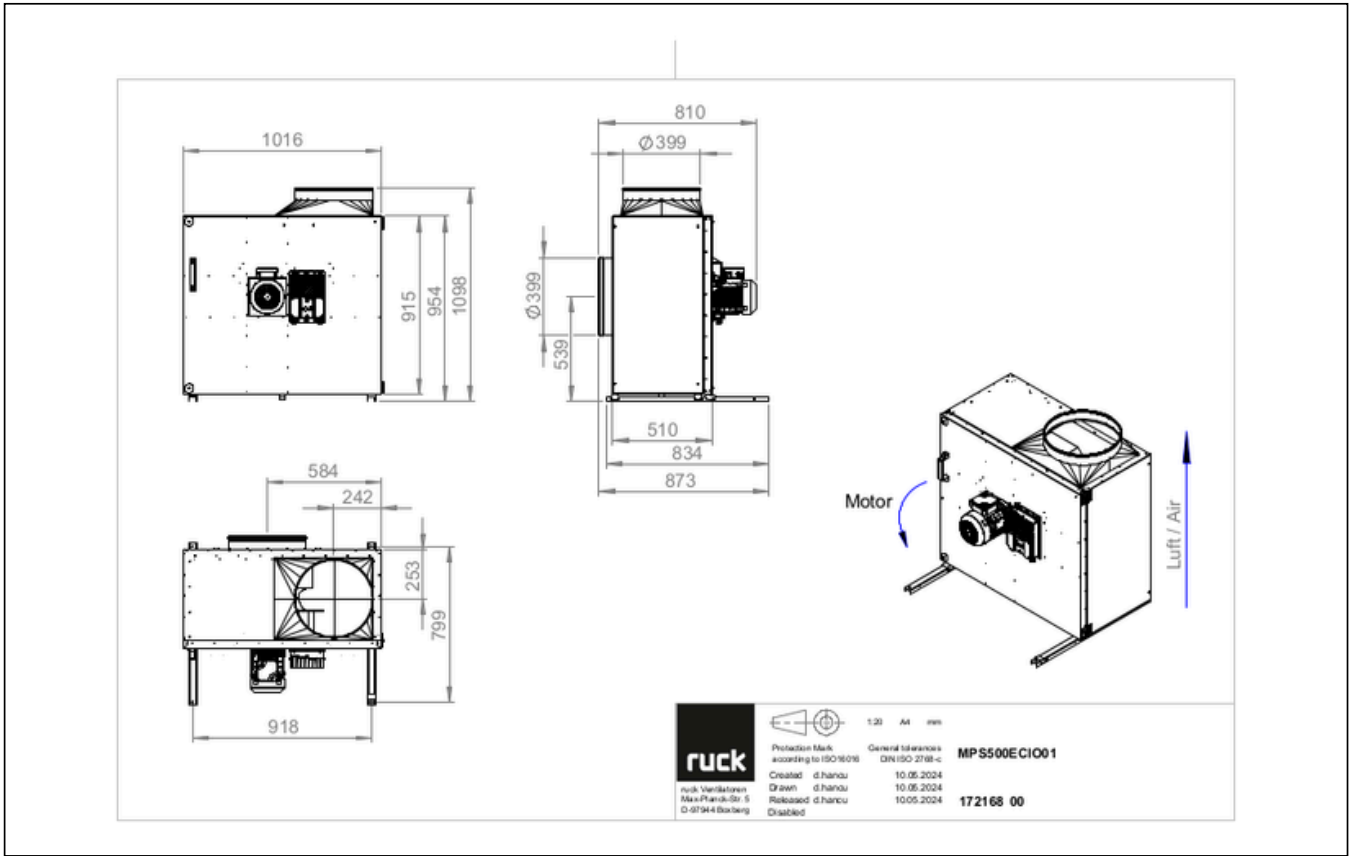
CIRCUIT DIAGRAMS / DIMENSIONAL DRAWINGS



to the product detail page

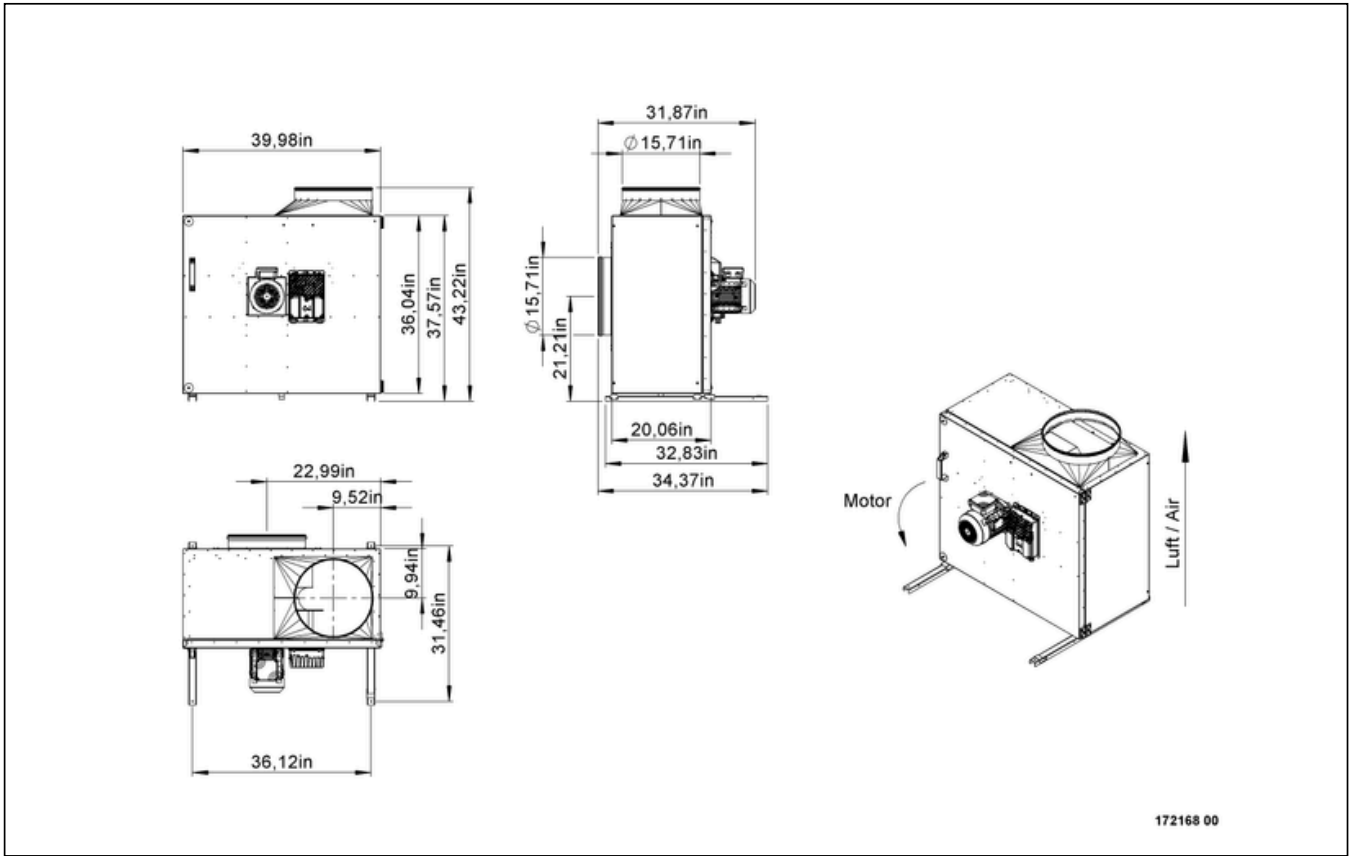
MPS 500 EC I K 01

172168



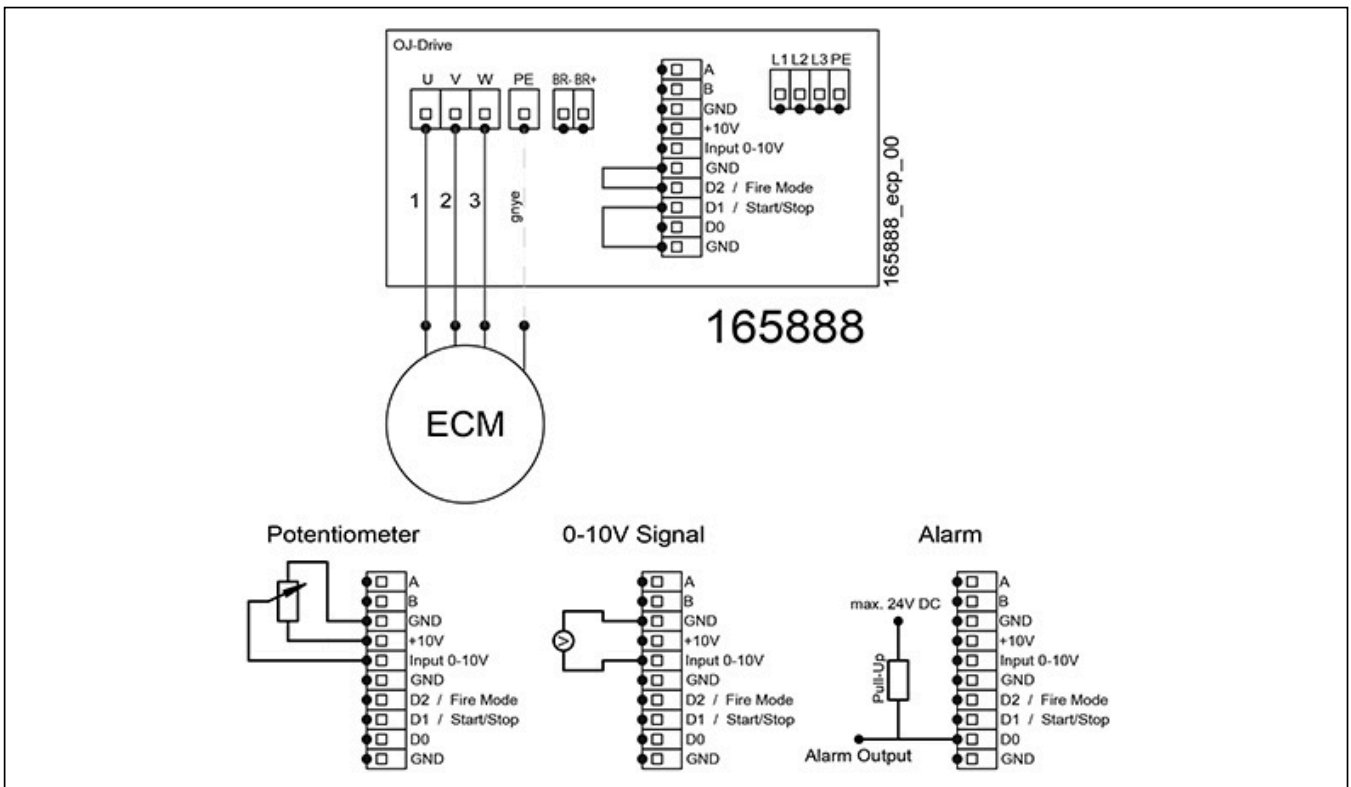
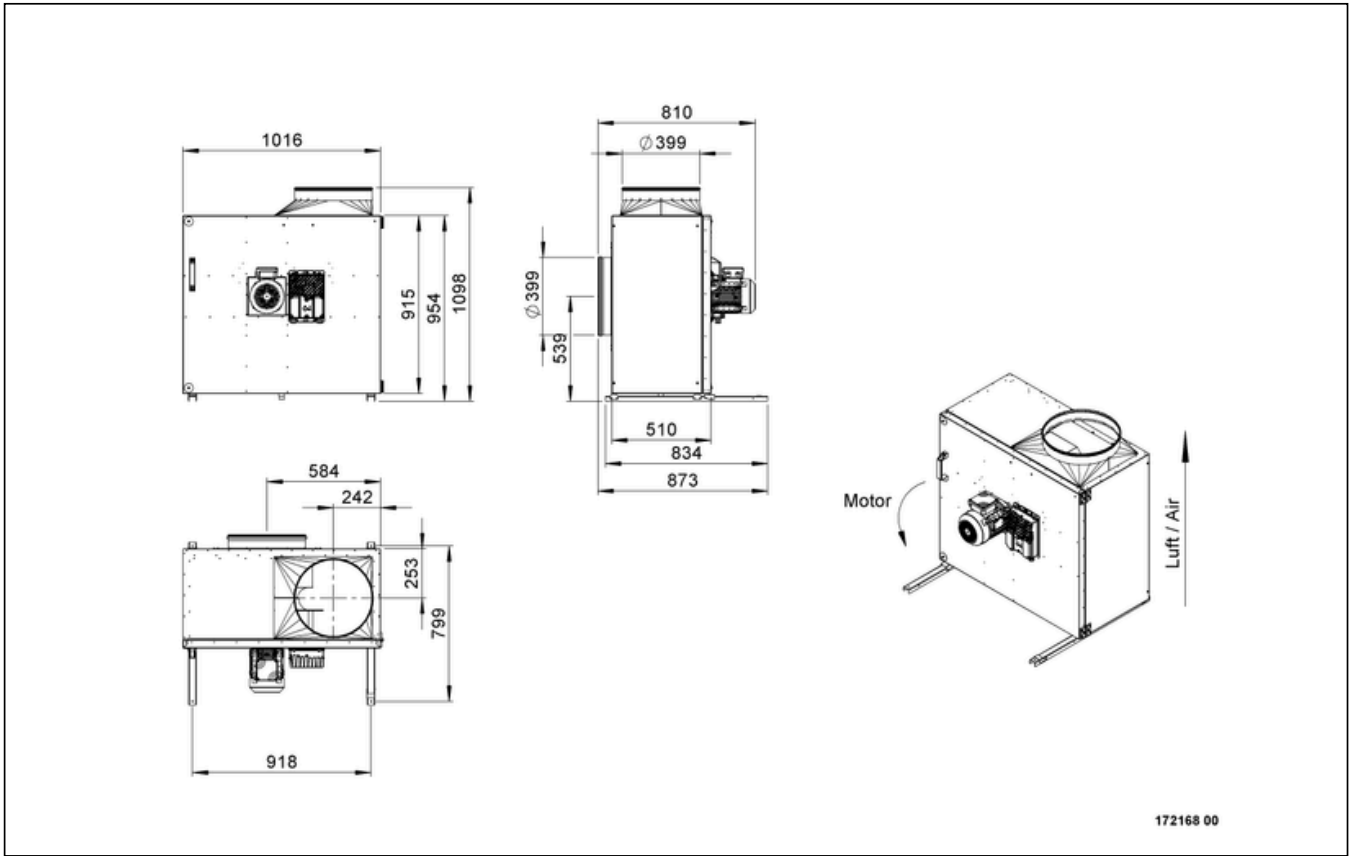
MPS 500 EC | K 01

172168



MPS 500 EC | K 01

172168



to the product detail page

MPS 500 EC I K 01

172168

