

# ELKI 6030 E2 10

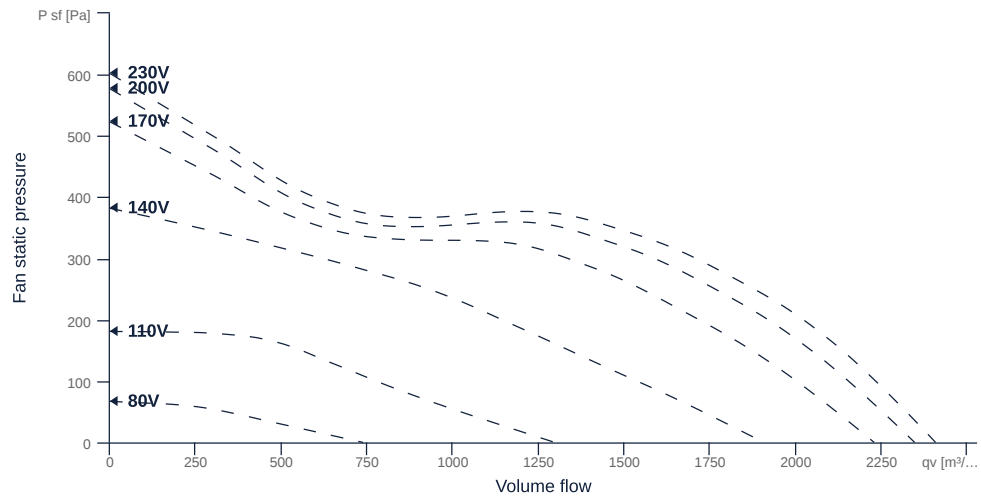
127738

- Energy efficient diagonal fan
- Optimally tuned and CFD-optimized aerodynamics
- Soundproof housing made of galvanized sheet steel
- Removable fan unit
- Robust single phase AC motor, voltage controllable
- Integrated thermal switch



## FAN CURVES

Name	Value	Unit
Volume flow	0	m³/h
Pressure	0	Pa



to the product detail page

# ELKI 6030 E2 10

127738

ruck

## GENERAL DATA

Name	Value	Unit	Formula symbol
Labeling	CE, UKCA		
Duct size	600x300		WxH <sub>duct</sub>
Pipe connection size (DN)	-		DN
Rated voltage (entire device)	230	v	U <sub>rated</sub>
Phases (entire device)	1~		phase
Electrical protection (entire device)	6 A		fuse
Housing material	Galvanized steel		mat <sub>casing</sub>
Impeller material	Plastic		mat <sub>impeller</sub>
IP-protection class (entire device)	IPX4		IP <sub>compl</sub>
IP-Protection class (terminal box)	IP44		IP <sub>ebox</sub>
Weight	17.93	kg	m
Nominal air flow rate, nominal point m <sup>3</sup> /h	2048.4	CmH	q <sub>v,nom</sub>
Nominal external pressure, static	186	Pa	p <sub>s,nom</sub>
Fan type	Diagonal		Fan <sub>type</sub>
Category / Installation situation	A		cat

## ERP DATA (LOT 6)

Name	Value	Unit	Formula symbol
Nominal air flow rate, nominal point m <sup>3</sup> /s	0.57	CmS	q <sub>v,nom</sub>
Actual electrical input power, nominal point	0.28	kw	P <sub>e,nom</sub>
Face velocity, nominal point	3.16	mps	V <sub>nom</sub>
Nominal external pressure, static	186	Pa	p <sub>s,nom</sub>
supply air fan static efficiency, nominal point	49.6	p	η <sub>es,SUP</sub>
Enclosure sound level, nominal point	62	db	LWA2
Rating	Product is compliant 2018		



to the product detail page

## MAXIMAL DATA

Name	Value	Unit	Formula symbol
Max. power consumption (device)	282	w	P <sub>ed, max</sub>
Max. operating current (device)	1.73	A	I <sub>ed, max</sub>
Max. speed	2890	rpm	n <sub>max</sub>
Max. stat. efficiency	49.2	p	η <sub>es</sub>
Max. fan efficiency	49.6	p	η <sub>e</sub>
Max. flowrate	2400	CmH	q <sub>v, max</sub>
Max. stat pressure	600	Pa	p <sub>sf, max</sub>
Max. medium temperature	55	°C	T <sub>m, max</sub>
Max. environment temperature	55	°C	T <sub>amb, max</sub>
Min. environment temperature	-25	°C	T <sub>amb, min</sub>
Min. voltage	80	v	U <sub>min</sub>

## MOTOR DATA

Name	Value		Unit	Formula symbol
	50 Hz	60 Hz		
Rated frequency (device)		50		f
Motor type		AC 1~		phase
Control type		stepless-controlled		ctrltype
Installation type		IRM (In)		install
Rotation direction		right		rotation
Isolation class		ISO F		ISOclass
Motor-protection		TMI		protectmotor
Protection class		IP00		IP <sub>motor</sub>
Is pole-changeable		No		polexch
Type of power supply		AC 1~		pwr <sub>sup</sub> <sub>motor</sub>
Capacity capacitor		8	μF	C <sub>cond</sub>
Voltage capacitor		450	v	V <sub>Ucond</sub>
Number of poles (1)		2.000000		num poles <sub>w1</sub>
Rated voltage	230		v	U <sub>rated, f1</sub>
Nominal power	220		w	P <sub>a</sub>
Efficiency	71.7		p	η <sub>m, f1</sub>
Efficiency class	IE3			IE <sub>motor</sub>
Min. temperature	-25		°C	T <sub>motor, min</sub>
UL-Certification motor			None	ULcert

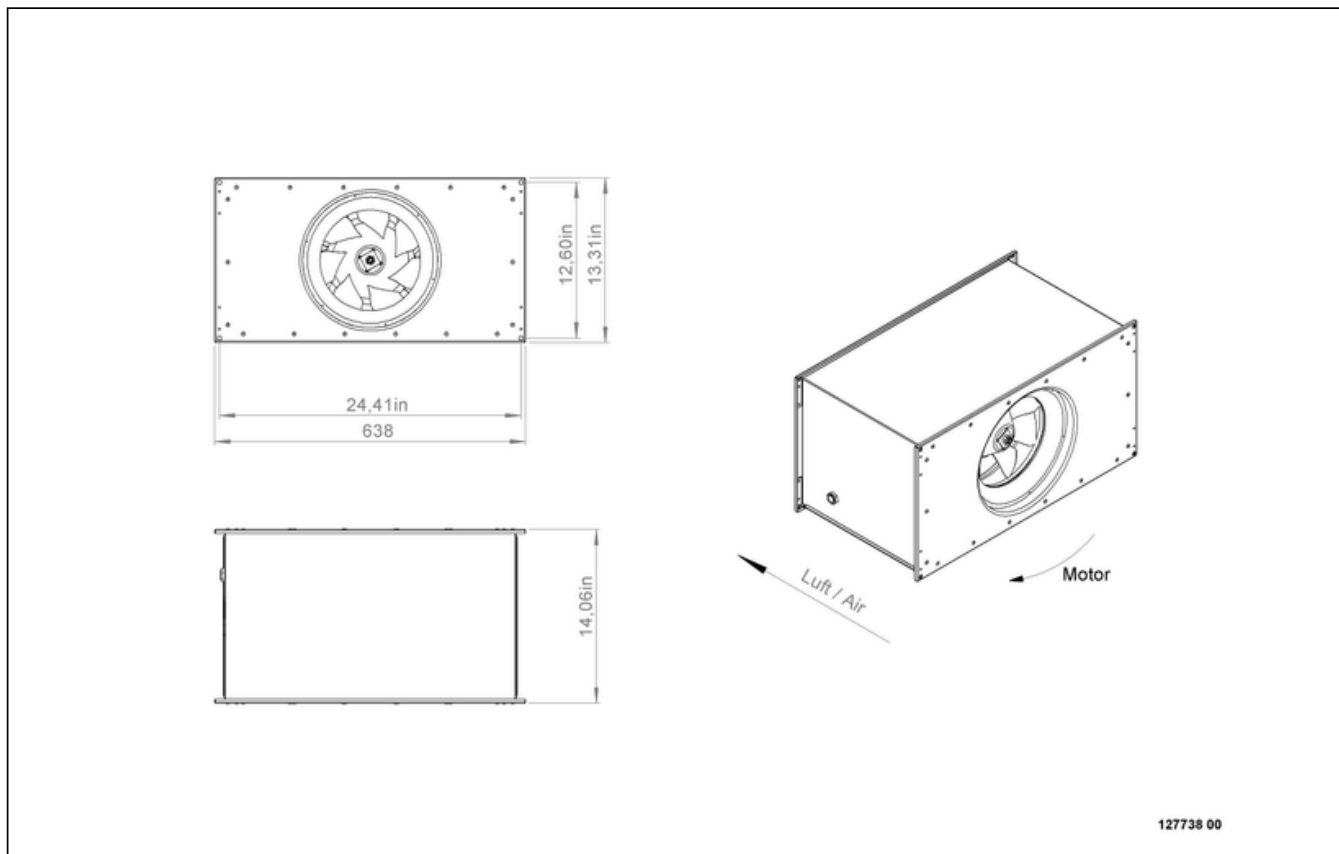


to the product detail page

# ELKI 6030 E2 10

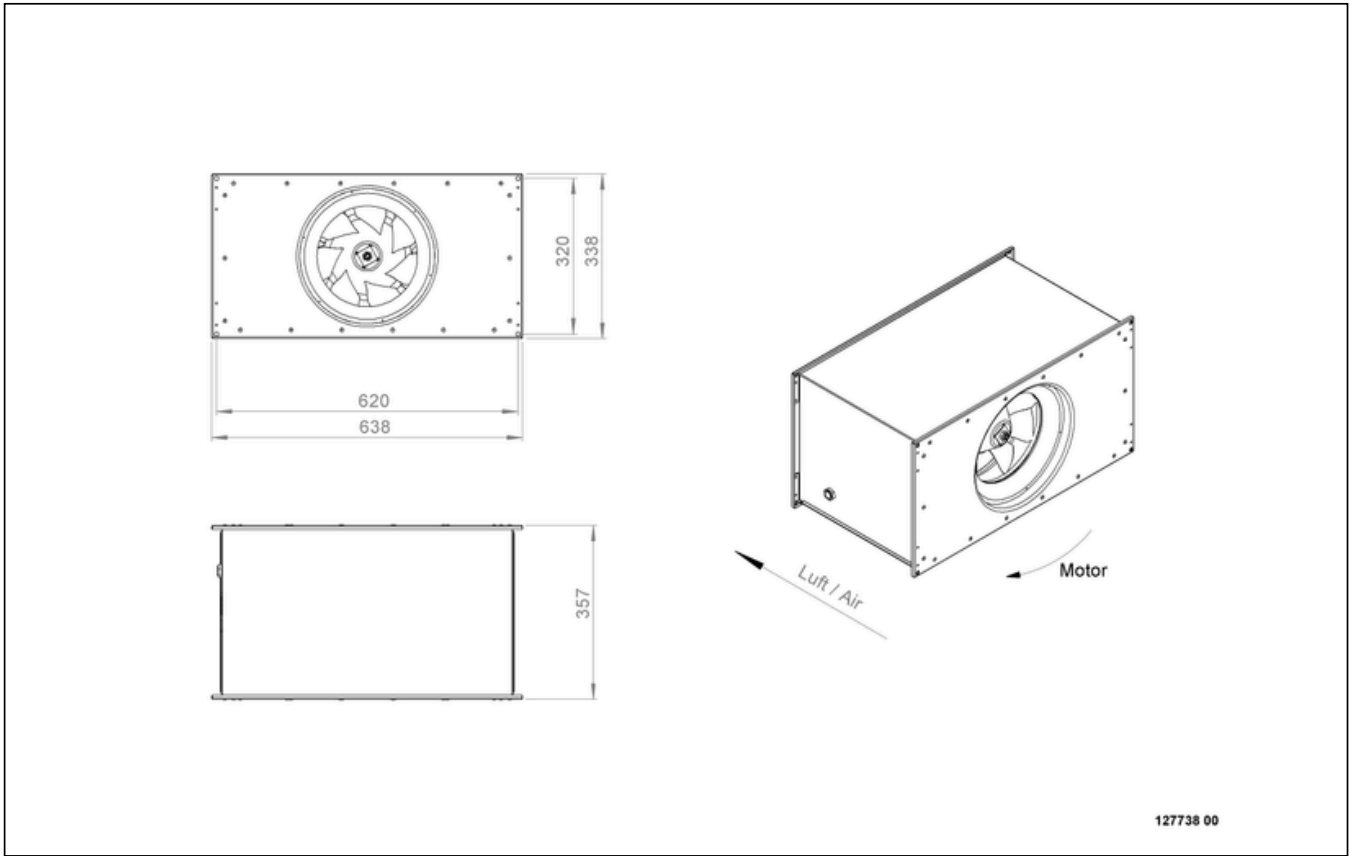
127738

## CIRCUIT DIAGRAMS / DIMENSIONAL DRAWINGS



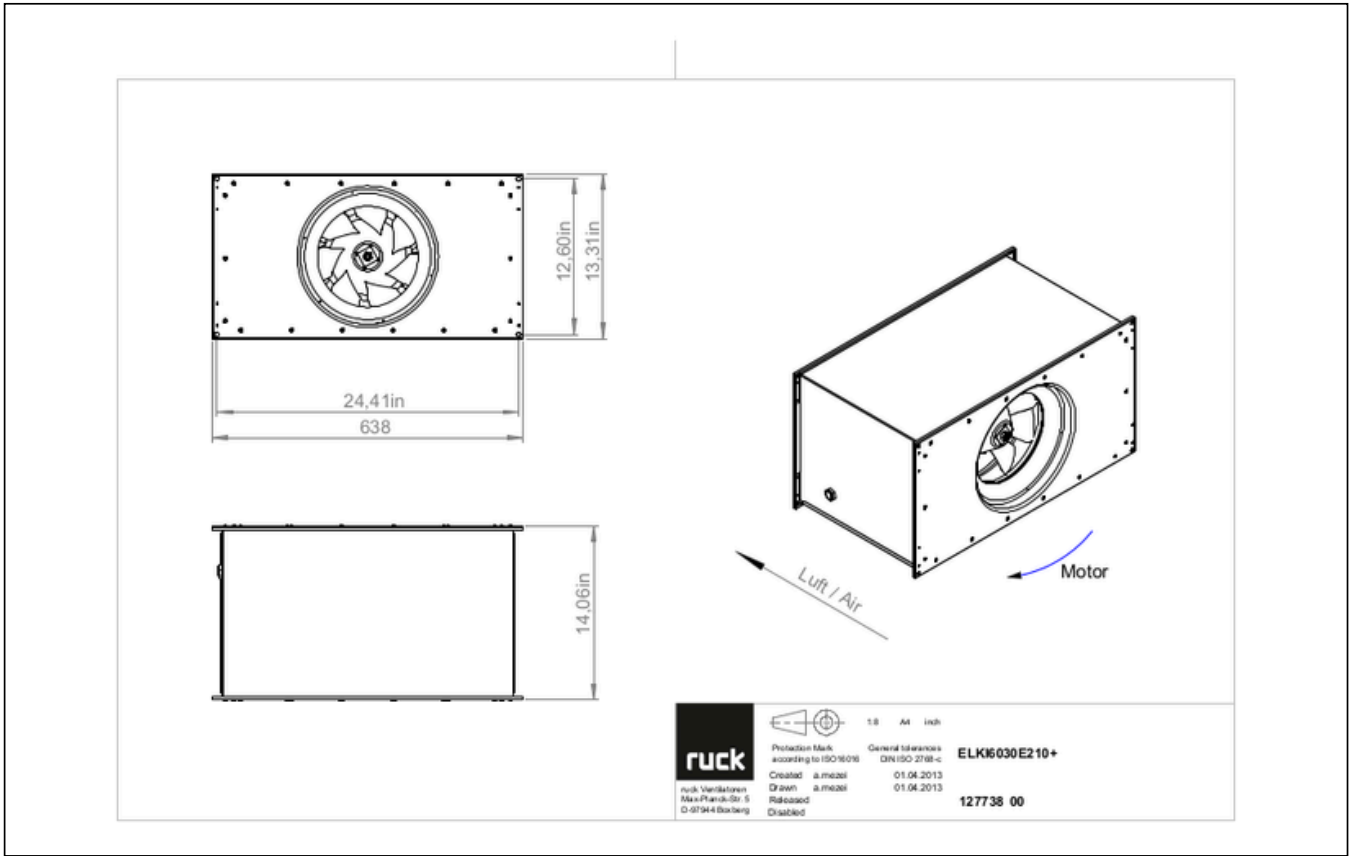
# ELKI 6030 E2 10

127738



# ELKI 6030 E2 10

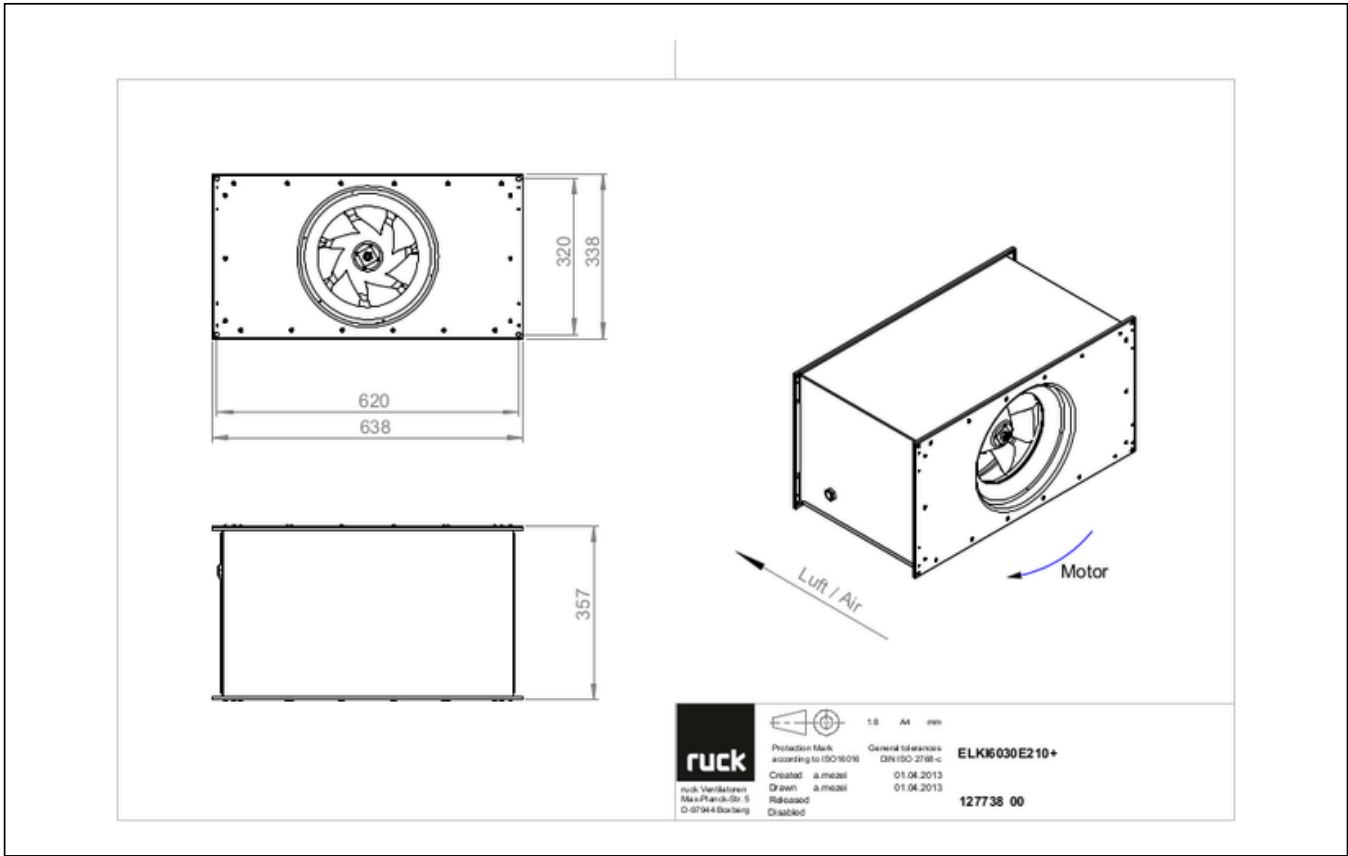
127738



to the product detail page

# ELKI 6030 E2 10

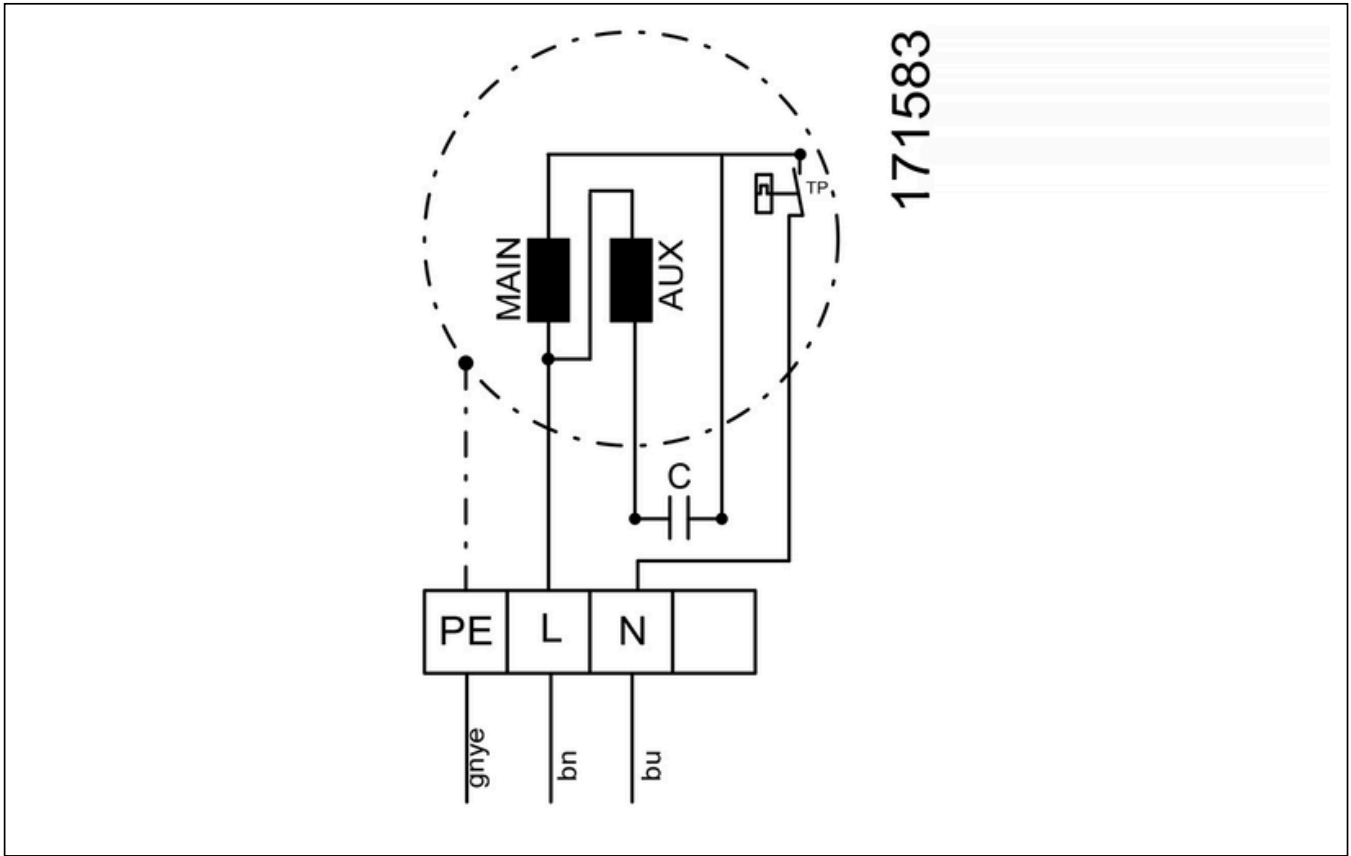
127738



to the product detail page

# ELKI 6030 E2 10

127738



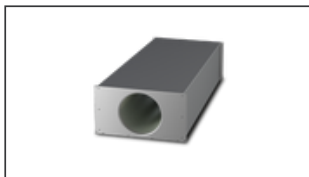
## MECHANICAL ACCESSORIES

VS 6030 | 102806



- Duct connector, flexible
- Standard profile flange P20
- Galvanized steel sheet, plastic band (PVC)
- Temperature resistant up to 70 °C

SDE 6030 L01 | 127750



- Duct silencer
- Sendzimir galvanized sheet steel housing
- Sound absorption by mineral wool with fleece covering on air side
- 20 mm flange profiles

VKK 6030 | 169683



- Automatic shutter
- Plastic, weather resistant
- Temperature resistant up to 70 °C



to the product detail page

# ELKI 6030 E2 10

127738

---

## ELECTRICAL ACCESSORIES

GS 01 | 102787



- Isolator switch
- Umax = 400 V, 50/60 Hz
- Switching capacity 400 V 3~ = 7,5 kW
- I<sub>max</sub> = 25 A

TEM 035 | 103502



- 5-step transformer
- 230 V, 50/60 Hz, 3,5 A
- Output voltage: 230-190-170-140-110-80-0 V
- Protection class IP 54

TES 035 02 | 146195



- 5-step transformer
- 230 V, 50/60 Hz, 3,5 A
- Without housing, control cabinet installation
- Protection class IP 20



to the product detail page