

EMKI 5030 EC 20

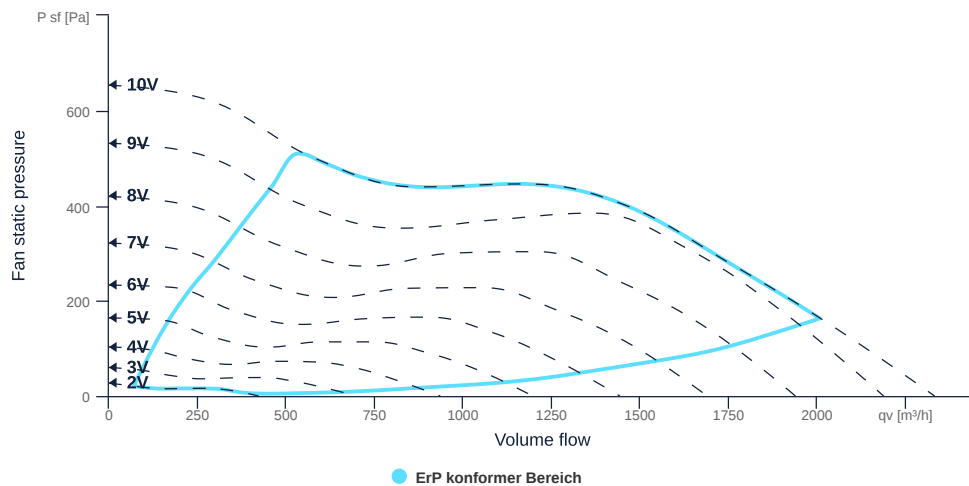
136742

- Efficiency optimized diagonal fan
- Optimally tuned and CFD-optimized aerodynamics
- Soundproof housing made of galvanized sheet steel
- Removable fan unit
- High efficiency EC motor, steplessly controllable
- Internal electronic temperature monitoring



FAN CURVES

Name	Value	Unit
Volume flow	0	m³/h
Pressure	0	Pa



to the product detail page

EMKI 5030 EC 20

136742

GENERAL DATA

Name	Value	Unit	Formula symbol
Labeling	CE, UKCA		
Duct size	500x300		WxH _{duct}
Pipe connection size (DN)	-		DN
Rated voltage (entire device)	230	v	U _{rated}
Phases (entire device)	1~		phase
Electrical protection (entire device)	6 A		fuse
Housing material	Galvanized steel		mat _{casing}
Impeller material	Plastic		mat _{impeller}
Weight	11.9	kg	m
Nominal air flow rate, nominal point m ³ /h	1465.2	CmH	q _{v,nom}
Nominal external pressure, static	399.7	Pa	p _{s,nom}
Fan type	Diagonal		Fan _{type}
Category / Installation situation	A		cat

ERP DATA (LOT 6)

Name	Value	Unit	Formula symbol
Nominal air flow rate, nominal point m ³ /s	0.41	CmS	q _{v,nom}
Actual electrical input power, nominal point	0.27	kw	P _{e,nom}
Face velocity, nominal point	2.7	mps	v _{nom}
Nominal external pressure, static	399.7	Pa	p _{s,nom}
supply air fan static efficiency, nominal point	65.1	p	η _{es,SUP}
Enclosure sound level, nominal point	73	db	LWA ₂
Rating	Product is compliant 2018		

MAXIMAL DATA

Name	Value		Unit	Formula symbol
	50 Hz	60 Hz		
Max. power consumption (device)	269	269	w	P _{ed, max}
Max. operating current (device)	1.88	1.88	A	I _{ed, max}
Max. speed	3220	3220	rpm	n _{max}
Max. stat. efficiency	56.9	56.9	p	η _{es}
Max. fan efficiency	57.4	57.4	p	η _e
Max. flowrate	2330	2330	CmH	q _{v, max}
Max. stat pressure	650	650	Pa	p _{st, max}
Max. medium temperature	45	45	°C	T _{m, max}
Max. environment temperature	45	45	°C	T _{amb, max}
Min. environment temperature	-30	-30	°C	T _{amb, min}
Min. voltage	230	230	v	U _{min}



to the product detail page

EMKI 5030 EC 20

136742



MOTOR DATA

Name	Value		Unit	Formula symbol
	50 Hz	60 Hz		
Rated frequency (device)		50		f
Motor type		EC		phase
Control type		stepless-controlled		ctrltype
Installation type		ORM (Out)		install
Rotation direction		right		rotation
Isolation class		ISO F		ISOclass
Motor-protection		TEC		protectmotor
Protection class		IP33		IPmotor
Is pole-changeable		No		polexch
Type of power supply		AC 1~		pwrsupmotor
Rated voltage	230	230	v	U _{rated, f1}
Rated current	1.72	1.72	A	I _{rated, f1}
Nominal power	267	267	w	P _a
Speed	3047	3047	rpm	n _{f1}
Min. temperature	-30	-30	°C	T _{motor, min}
UL-Certification motor		None		ULcert

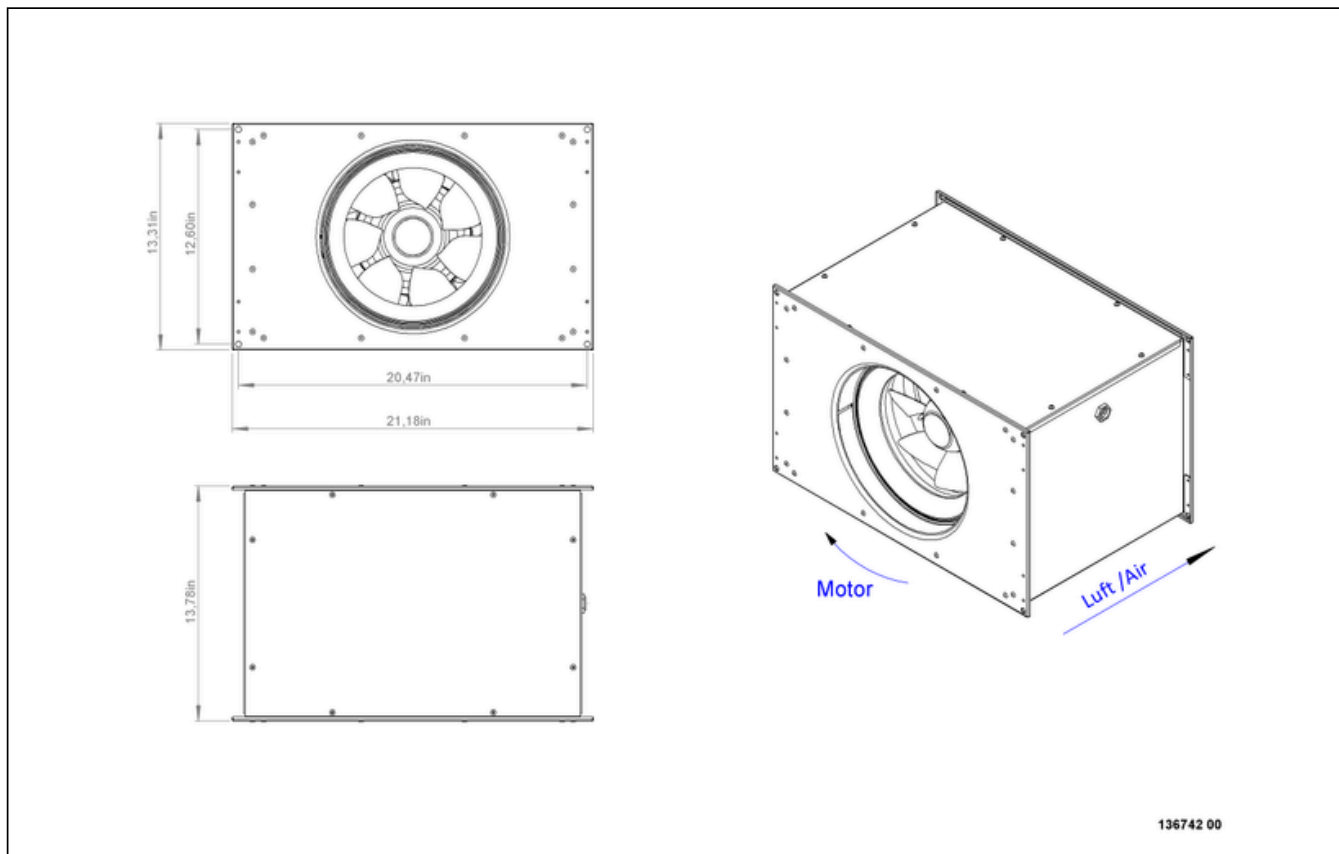


[to the product detail page](#)

EMKI 5030 EC 20

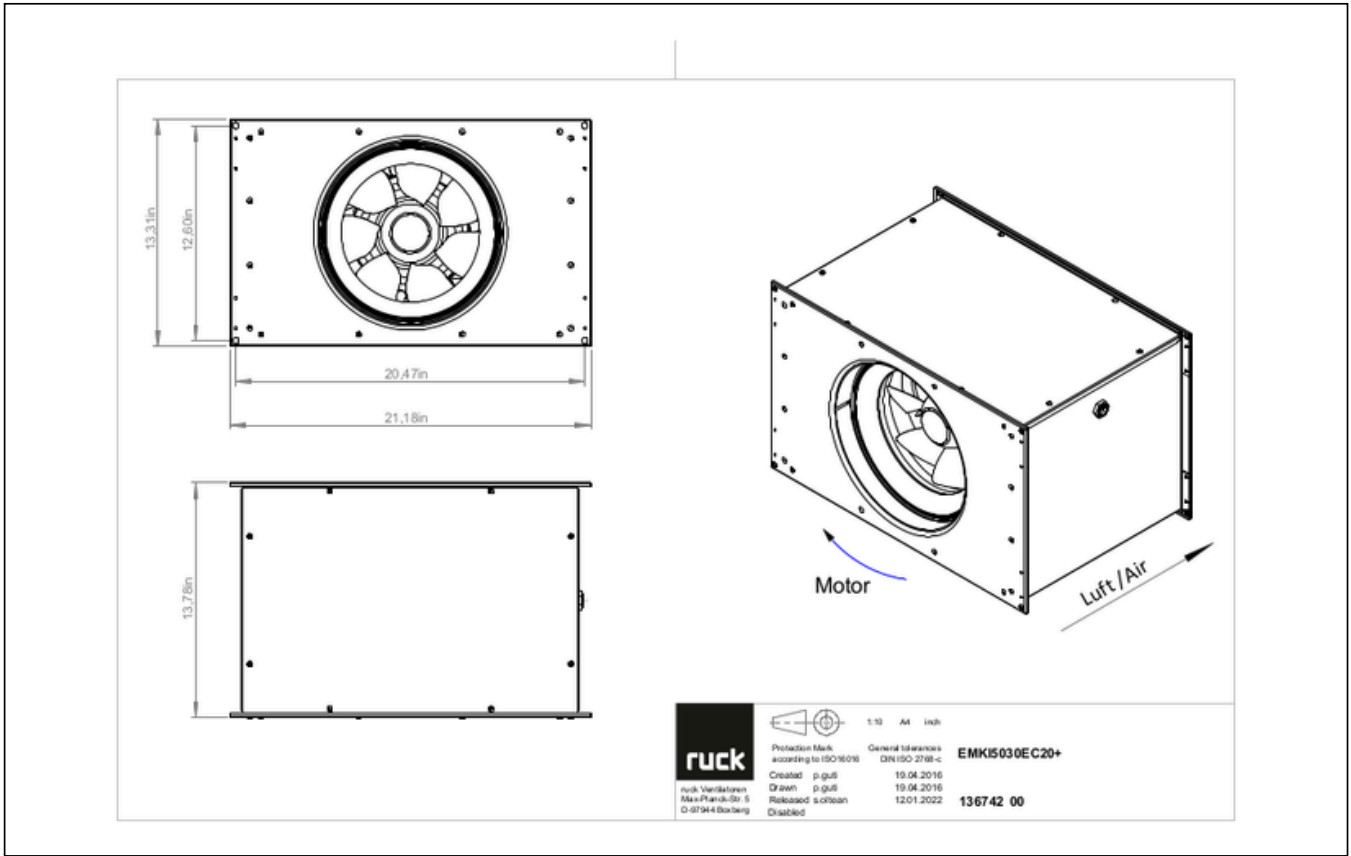
136742

CIRCUIT DIAGRAMS / DIMENSIONAL DRAWINGS



EMKI 5030 EC 20

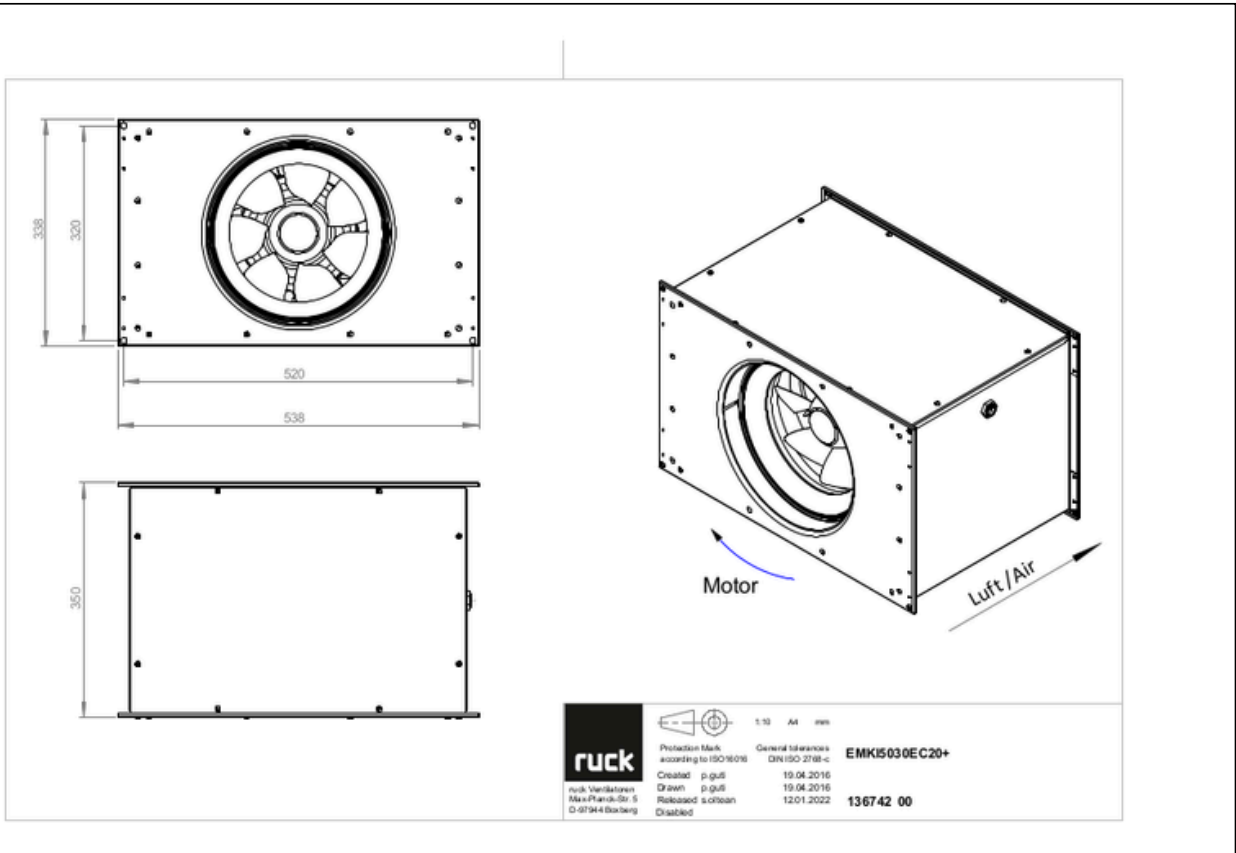
136742



to the product detail page

EMKI 5030 EC 20

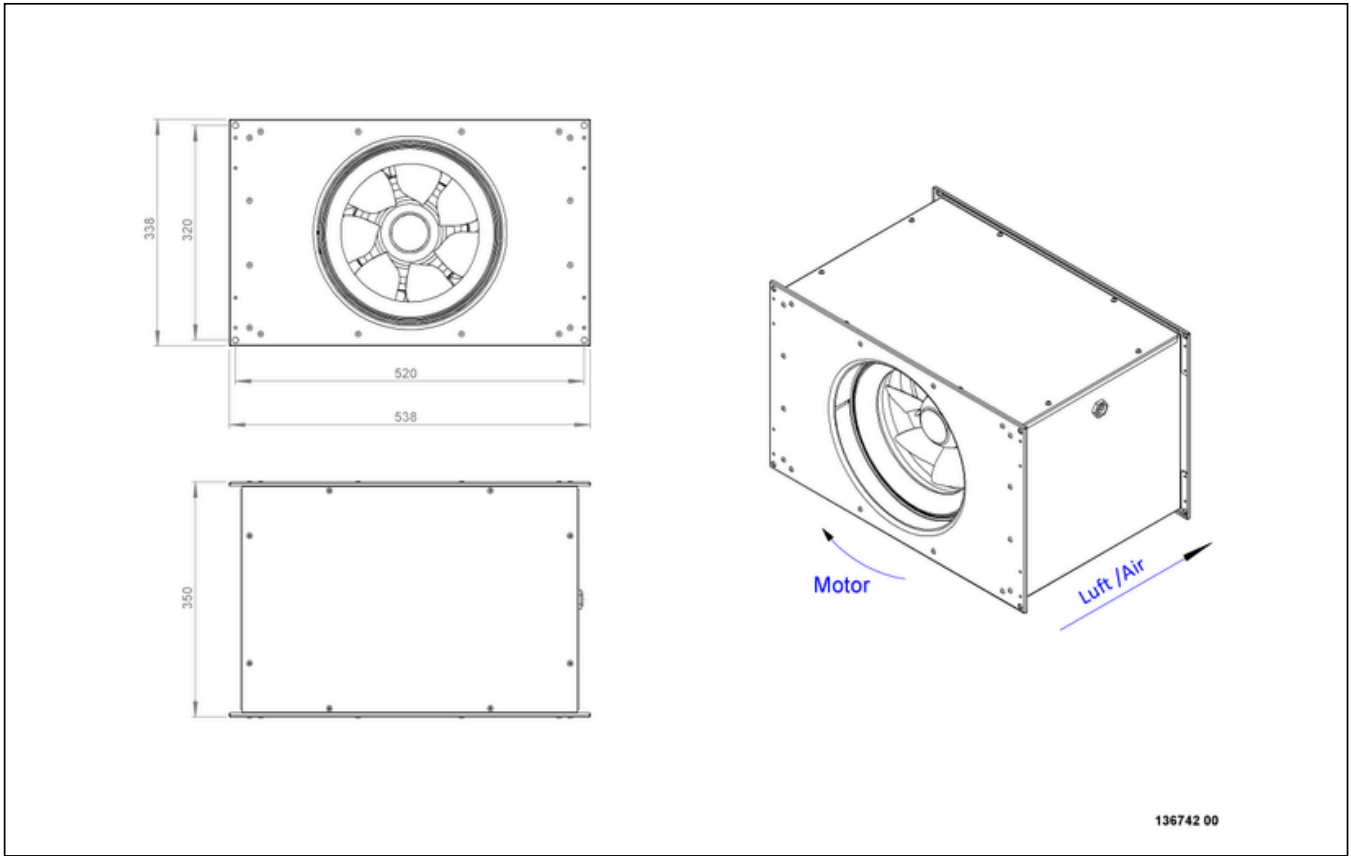
136742



to the product detail page

EMKI 5030 EC 20

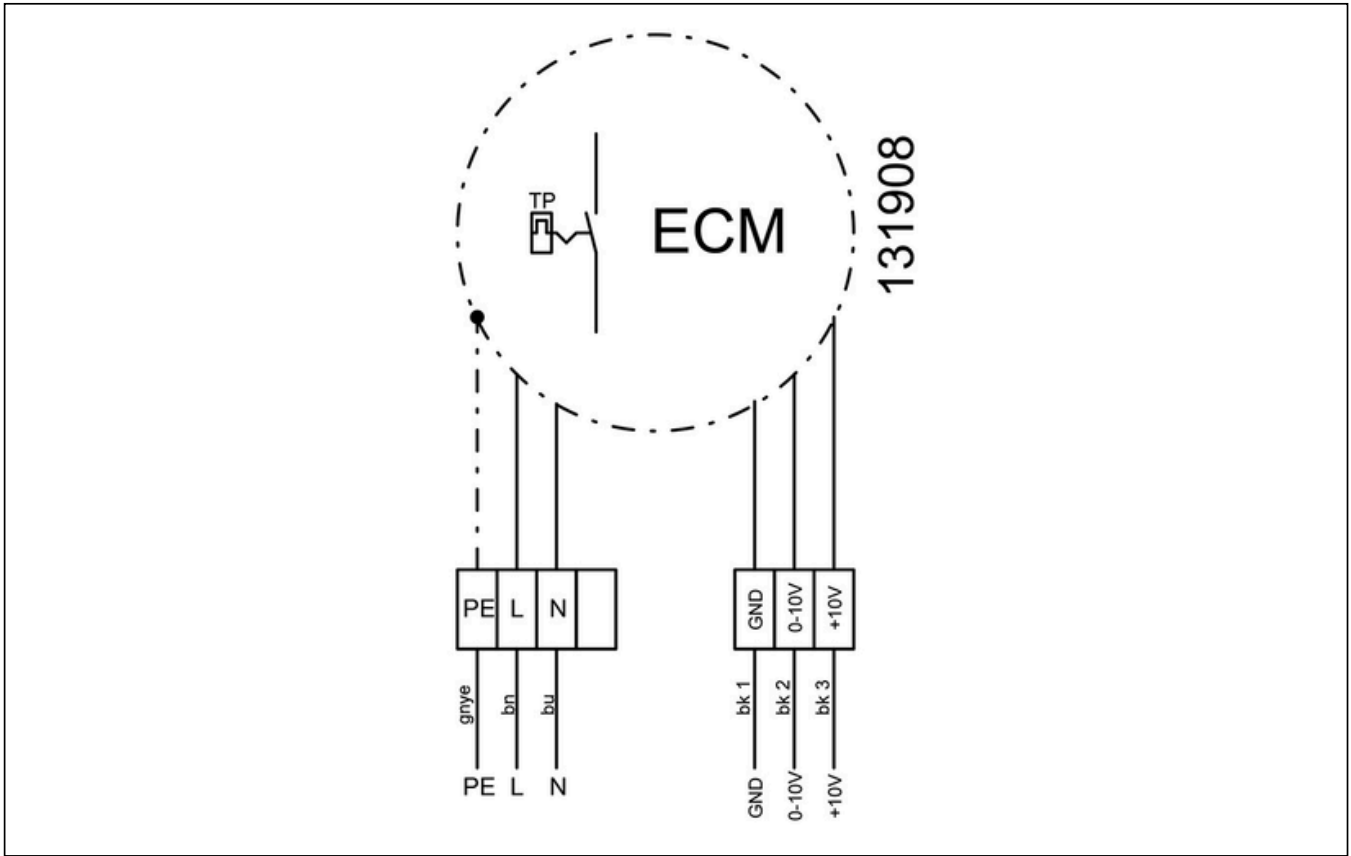
136742



to the product detail page

EMKI 5030 EC 20

136742



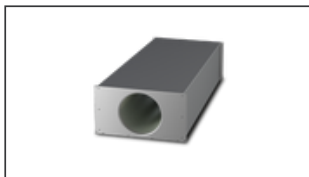
MECHANICAL ACCESSORIES

VS 5030 | 102805



- Duct connector, flexible
- Standard profile flange P20
- Galvanized steel sheet, plastic band (PVC)
- Temperature resistant up to 70 °C

SDE 5030 L01 | 127748



- Duct silencer
- Sendzimir galvanized sheet steel housing
- Sound absorption by mineral wool with fleece covering on air side
- 20 mm flange profiles

VKK 5030 | 169682



- Automatic shutter
- Plastic, weather resistant
- Temperature resistant up to 70 °C



to the product detail page

EMKI 5030 EC 20

136742

ELECTRICAL ACCESSORIES

GS 01 | 102787



- Isolator switch
- $U_{max} = 400\text{ V}$, 50/60 Hz
- Switching capacity 400 V 3~ = 7,5 kW
- $I_{max} = 25\text{ A}$

CON P1000 | 115259



- Constant pressure control
- Actual value display possible via optional control unit
- Output 0-10 V DC + FC enable + setpoint reached
- Pressure setting by means of decade switch

MTP 20 | 128146



- Potentiometer 10 k Ω
- Switching contact 1A/250V AC - 2,5A/12V DC
- Max. ambient temperature 50 °C
- VDE

MTP 30 | 143289



- Stepped potentiometer 10 k Ω
- Step 1 + 2 settable 10 % - 100 % Vdc
- Step 3 100 % Vdc
- Supply voltage +10 Vdc

MTP 40 | 147359



- Potentiometer 10 k Ω
- Connection in terminal box
- Max. ambient temperature 50 °C
- PU: 20 pieces

MTP 50 | 168752



- Potentiometer with multifunction output
- 230 VAC $\pm 10\%$ / 50-60 Hz
- Selectable output: 1-10 VDC / 2-20 mA / 10-100 % PWM
- Min. and max. output value adjustable



to the product detail page