

EMKI 8050 EC 21

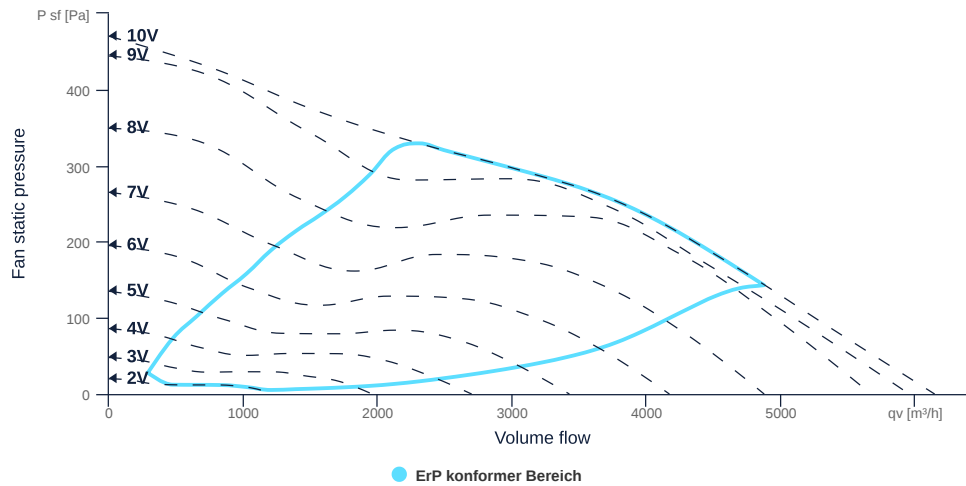
136750

- Efficiency optimized diagonal fan
- Optimally tuned and CFD-optimized aerodynamics
- Soundproof housing made of galvanized sheet steel
- Removable fan unit
- High efficiency EC motor, steplessly controllable
- Internal electronic temperature monitoring



FAN CURVES

Name	Value	Unit
Volume flow	0	m³/h
Pressure	0	Pa



to the product detail page

EMKI 8050 EC 21

136750

GENERAL DATA

Name	Value	Unit	Formula symbol
Labeling	CE, UKCA		
Duct size	800x500		WxH _{duct}
Pipe connection size (DN)	-		DN
Rated voltage (entire device)	230	v	U _{rated}
Phases (entire device)	1~		phase
Electrical protection (entire device)	6 A		fuse
Housing material	Galvanized steel		mat _{casing}
Impeller material	Plastic		mat _{impeller}
Weight	26.95	kg	m
Nominal air flow rate, nominal point m ³ /h	3668.4	CmH	q _{v,nom}
Nominal external pressure, static	264.9	Pa	p _{s,nom}
Fan type	Diagonal		Fan _{type}
Category / Installation situation	A		cat

ERP DATA (LOT 6)

Name	Value	Unit	Formula symbol
Nominal air flow rate, nominal point m ³ /s	1.02	CmS	q _{v,nom}
Actual electrical input power, nominal point	0.51	kw	P _{e,nom}
Face velocity, nominal point	2.5	mps	v _{nom}
Nominal external pressure, static	264.9	Pa	p _{s,nom}
supply air fan static efficiency, nominal point	61.1	p	η _{es,SUP}
Enclosure sound level, nominal point	61	db	LWA2
Rating	Product is compliant 2018		

MAXIMAL DATA

Name	Value		Unit	Formula symbol
	50 Hz	60 Hz		
Max. power consumption (device)	535	535	w	P _{ed, max}
Max. operating current (device)	3.69	3.69	A	I _{ed, max}
Max. speed	2210	2210	rpm	n _{max}
Max. stat. efficiency	49.8	49.8	p	η _{es}
Max. fan efficiency	50.6	50.6	p	η _e
Max. flowrate	6140	6140	CmH	q _{v, max}
Max. stat pressure	470	470	Pa	p _{sf, max}
Max. medium temperature	35	35	°C	T _{m, max}
Max. environment temperature	35	35	°C	T _{amb, max}
Min. environment temperature	-30	-30	°C	T _{amb, min}
Min. voltage	230	230	v	U _{min}



to the product detail page

EMKI 8050 EC 21

136750

ruck

MOTOR DATA

Name	Value		Unit	Formula symbol
	50 Hz	60 Hz		
Rated frequency (device)		50		f
Motor type		EC		phase
Control type		stepless-controlled		ctrltype
Installation type		ORM (Out)		install
Rotation direction		right		rotation
Isolation class		ISO F		ISOclass
Motor-protection		TEC		protectmotor
Protection class		IP30		IPmotor
Is pole-changeable		No		polexch
Type of power supply		AC 1~		pwrsupmotor
Rated voltage	230	230	v	U _{rated, f1}
Rated current	1.61	1.61	A	I _{rated, f1}
Nominal power	253	253	w	P _a
Speed	1946	1946	rpm	n _{f1}
Min. temperature	-30	-30	°C	T _{motor, min}
UL-Certification motor		None		ULcert

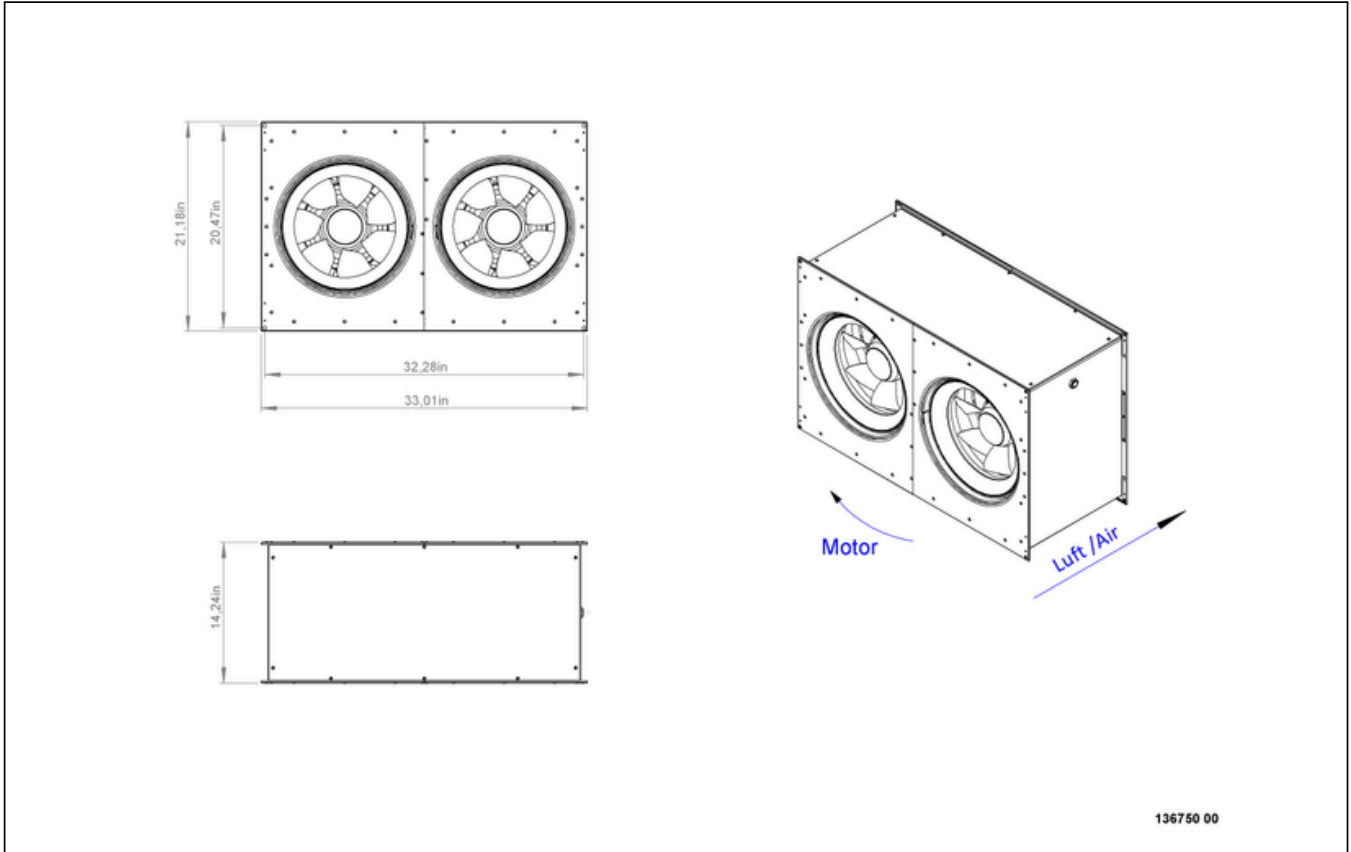


to the product detail page

EMKI 8050 EC 21

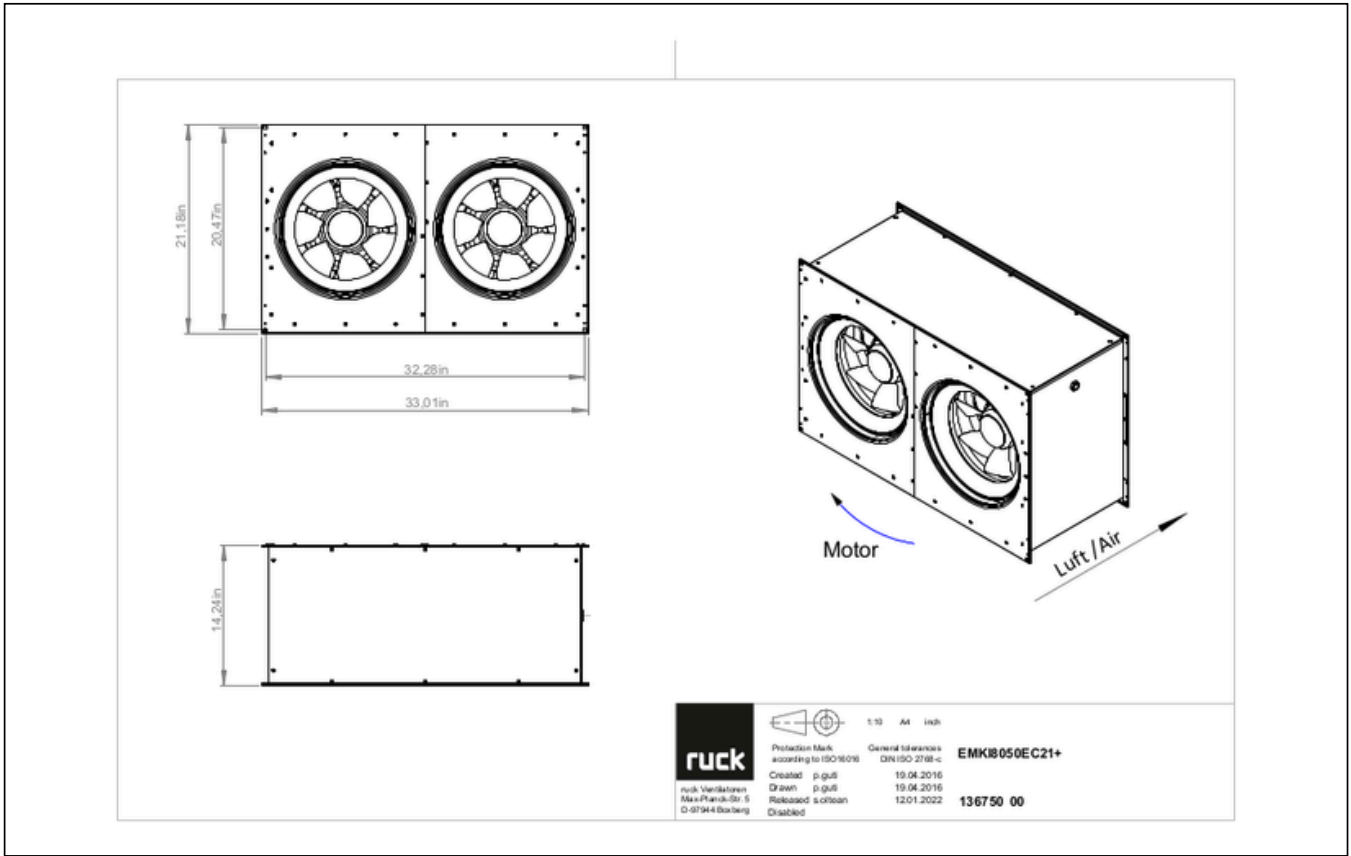
136750

CIRCUIT DIAGRAMS / DIMENSIONAL DRAWINGS



EMKI 8050 EC 21

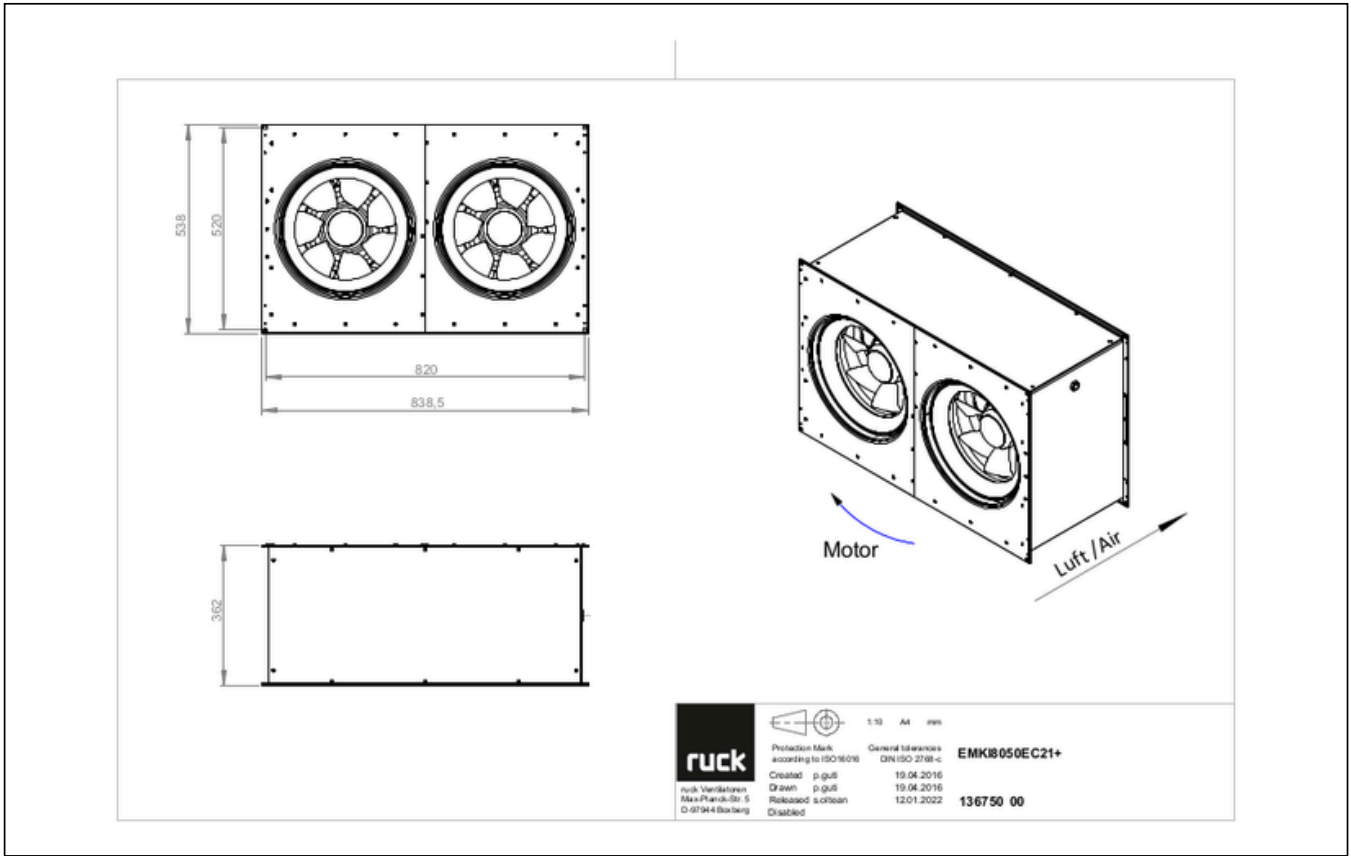
136750



to the product detail page

EMKI 8050 EC 21

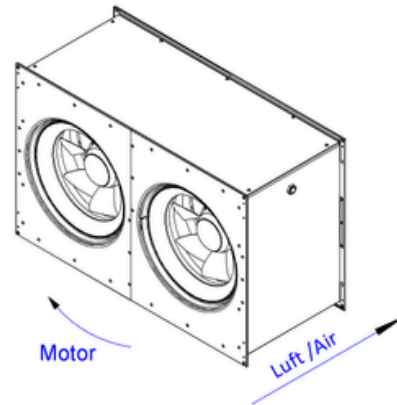
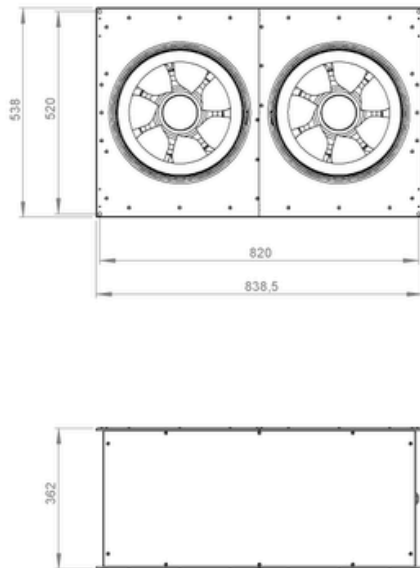
136750



to the product detail page

EMKI 8050 EC 21

136750



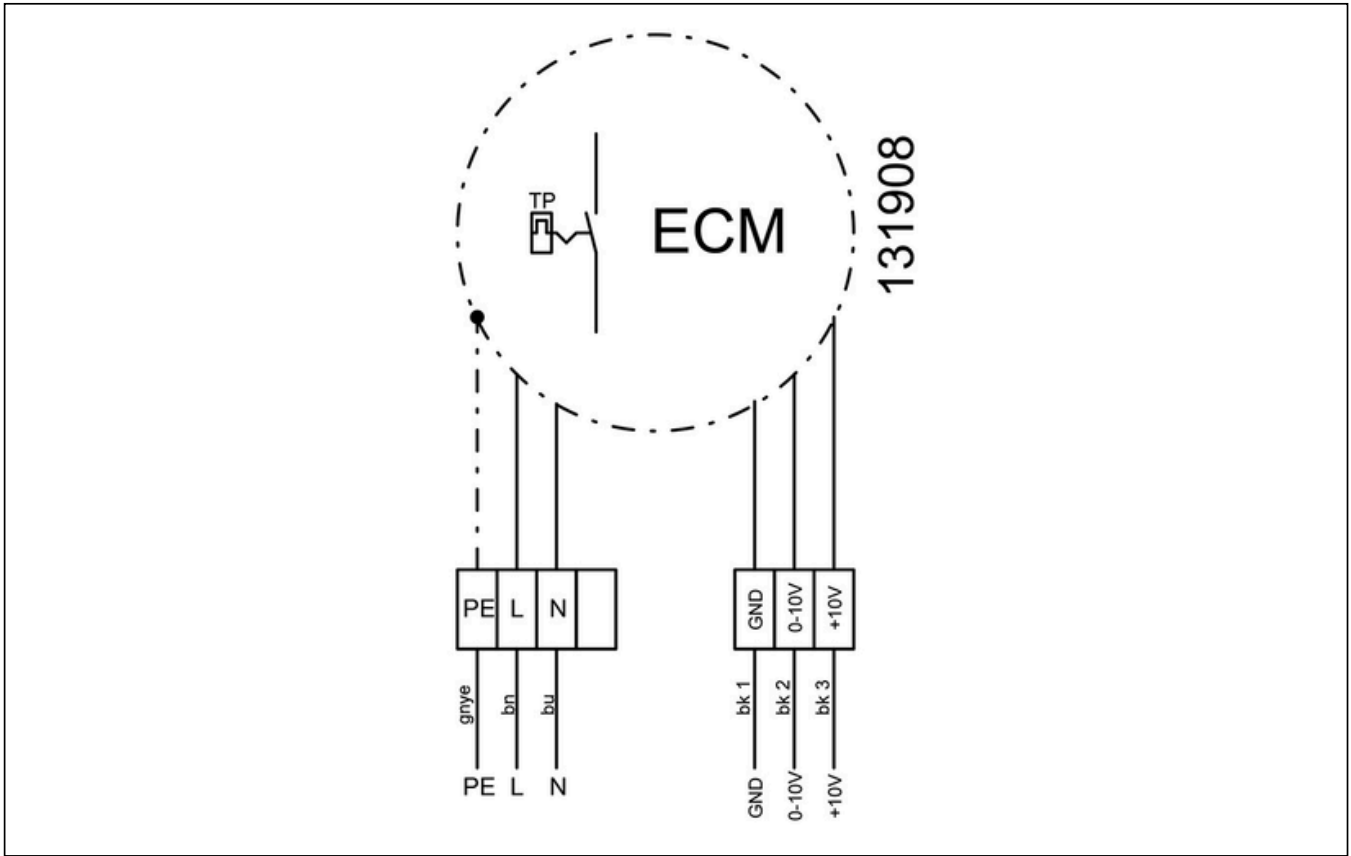
136750 00



to the product detail page

EMKI 8050 EC 21

136750



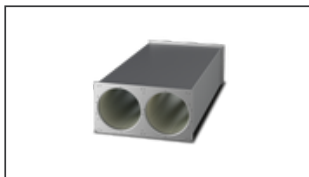
MECHANICAL ACCESSORIES

VS 8050 | 103953



- Duct connector, flexible
- Standard profile flange P20
- Galvanized steel sheet, plastic band (PVC)
- Temperature resistant up to 70 °C

SDE 8050 L02 | 127754



- Duct silencer
- Sendzimir galvanized sheet steel housing
- Sound absorption by mineral wool with fleece covering on air side
- 20 mm flange profiles

VKK 8050 | 169686



- Automatic shutter
- Plastic, weather resistant
- Temperature resistant up to 70 °C



to the product detail page

EMKI 8050 EC 21

136750

ELECTRICAL ACCESSORIES

GS 01 | 102787



- Isolator switch
- $U_{max} = 400\text{ V}$, 50/60 Hz
- Switching capacity 400 V 3~ = 7,5 kW
- $I_{max} = 25\text{ A}$

CON P1000 | 115259



- Constant pressure control
- Actual value display possible via optional control unit
- Output 0-10 V DC + FC enable + setpoint reached
- Pressure setting by means of decade switch

MTP 20 | 128146



- Potentiometer 10 k Ω
- Switching contact 1A/250V AC - 2,5A/12V DC
- Max. ambient temperature 50 °C
- VDE

MTP 30 | 143289



- Stepped potentiometer 10 k Ω
- Step 1 + 2 settable 10 % - 100 % Vdc
- Step 3 100 % Vdc
- Supply voltage +10 Vdc

MTP 40 | 147359



- Potentiometer 10 k Ω
- Connection in terminal box
- Max. ambient temperature 50 °C
- PU: 20 pieces

MTP 50 | 168752



- Potentiometer with multifunction output
- 230 VAC $\pm 10\%$ / 50-60 Hz
- Selectable output: 1-10 VDC / 2-20 mA / 10-100 % PWM
- Min. and max. output value adjustable



to the product detail page