

KVRI 3015 EC O K 01

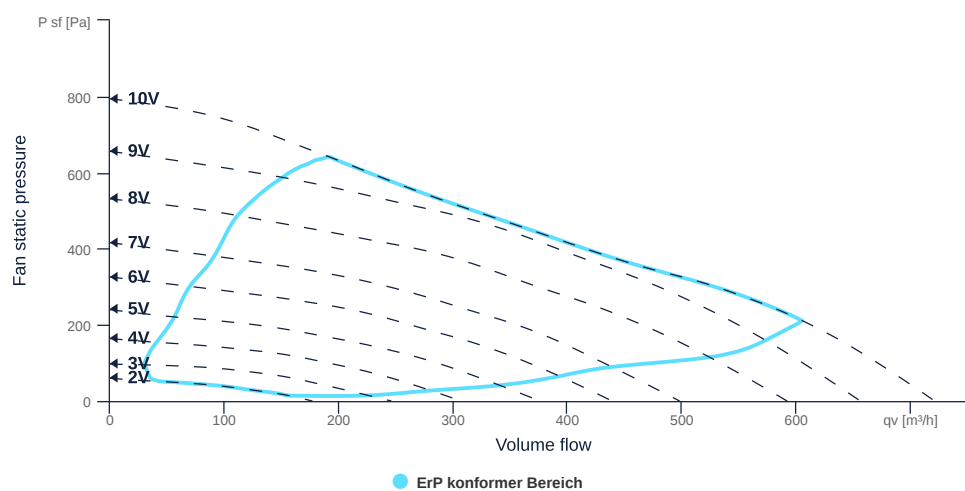
166324

- Backward curved centrifugal impeller
- Swing out fan unit
- Soundproofed housing made of galvanized sheet steel
- High efficiency EC motor, steplessly controllable
- Conveyed medium temperature up to 50 °C in continuous operation



FAN CURVES

Name	Value	Unit
Volume flow	0	m³/h
Pressure	0	Pa



to the product detail page

KVRI 3015 EC O K 01

166324

GENERAL DATA

Name	Value	Unit	Formula symbol
Labeling	CE, UKCA		
Duct size	300x150		WxH _{duct}
Pipe connection size (DN)	-		DN
Rated voltage (entire device)	230	v	U _{rated}
Phases (entire device)	1~		phase
Electrical protection (entire device)	6 A		fuse
Housing material	Galvanized steel		mat _{casing}
Impeller material	Plastic		mat _{impeller}
IP-protection class (entire device)	IPX4		IP _{compl}
IP-Protection class (terminal box)	IP44		IP _{ebox}
Weight	10.1	kg	m
Nominal air flow rate, nominal point m ³ /h	604.8	CmH	q _{v,nom}
Nominal external pressure, static	211	Pa	p _{s,nom}
Fan type	Radial		Fan _{type}
Category / Installation situation	A		cat

ERP DATA (LOT 6)

Name	Value	Unit	Formula symbol
Nominal air flow rate, nominal point m ³ /s	0.17	CmS	q _{v,nom}
Actual electrical input power, nominal point	0.12	kw	P _{e,nom}
Face velocity, nominal point	3.74	mps	v _{nom}
Nominal external pressure, static	211	Pa	p _{s,nom}
static efficiency of the extract fan, nominal point	29.04	p	η _{es,EHA}
Enclosure sound level, nominal point	60.37	db	LWA2
Rating	Product is compliant 2018		



to the product detail page

KVRI 3015 EC O K 01

166324

MAXIMAL DATA

Name	Value		Unit	Formula symbol
	50 Hz	60 Hz		
Max. power consumption (device)	117	117	w	P _{ed, max}
Max. operating current (device)	1	1	A	I _{ed, max}
Max. speed	4000	4000	rpm	n _{max}
Max. stat. efficiency	40	40	p	η _{es}
Max. fan efficiency	40.2	40.2	p	η _e
Max. flowrate	720	720	CmH	q _{v, max}
Max. stat pressure	790	790	Pa	p _{sf, max}
Max. medium temperature	50	50	°C	T _{m, max}
Max. environment temperature	50	50	°C	T _{amb, max}
Min. environment temperature	-30	-30	°C	T _{amb, min}

MOTOR DATA

Name	Value		Unit	Formula symbol
	50 Hz	60 Hz		
Rated frequency (device)		50		f
Motor type		EC		phase
Control type		stepless-controlled		ctrltype
Installation type		ORM (Out)		install
Rotation direction		right		rotation
Isolation class		ISO F		ISOclass
Motor-protection		TEC		protectmotor
Protection class		IP54		IP _{motor}
Is pole-changeable		No		polexch
Type of power supply		AC 1~		pwr _{sup} motor
Rated voltage	230	230	v	U _{rated, f1}
Rated current	0.89	0.89	A	I _{rated, f1}
Speed	3960	3960	rpm	n _{f1}
Efficiency	46.8	46.8	p	η _{m, f1}
Min. temperature	-30	-30	°C	T _{motor, min}
Cos Phi	0.560000	0.560000		cos φ
UL-Certification motor		None		UL _{cert}

SMOKE EXTRACT DATA

Name	Value	Unit	Formula symbol
Fire resistance class	None		F _{class}

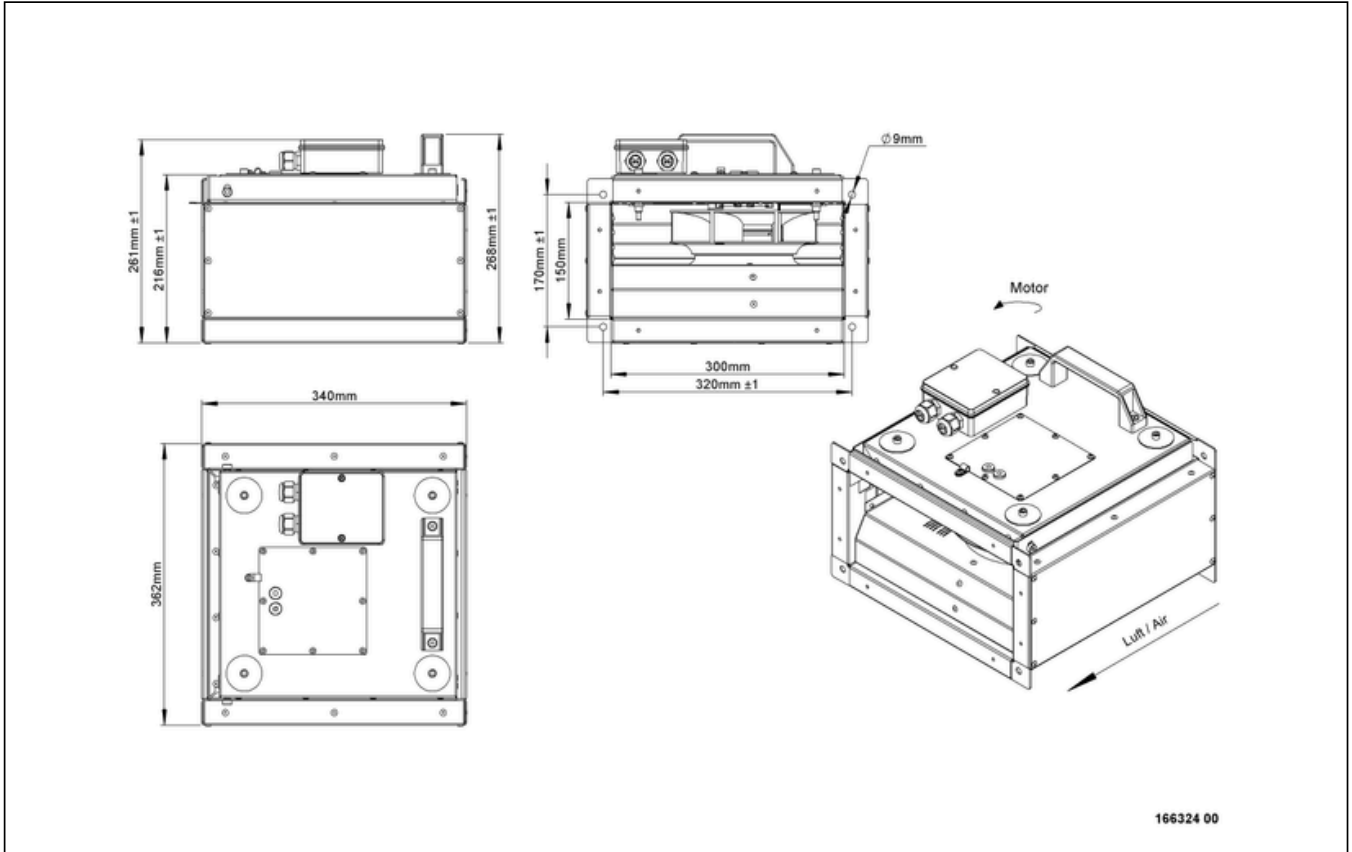


to the product detail page

KVRI 3015 EC O K 01

166324

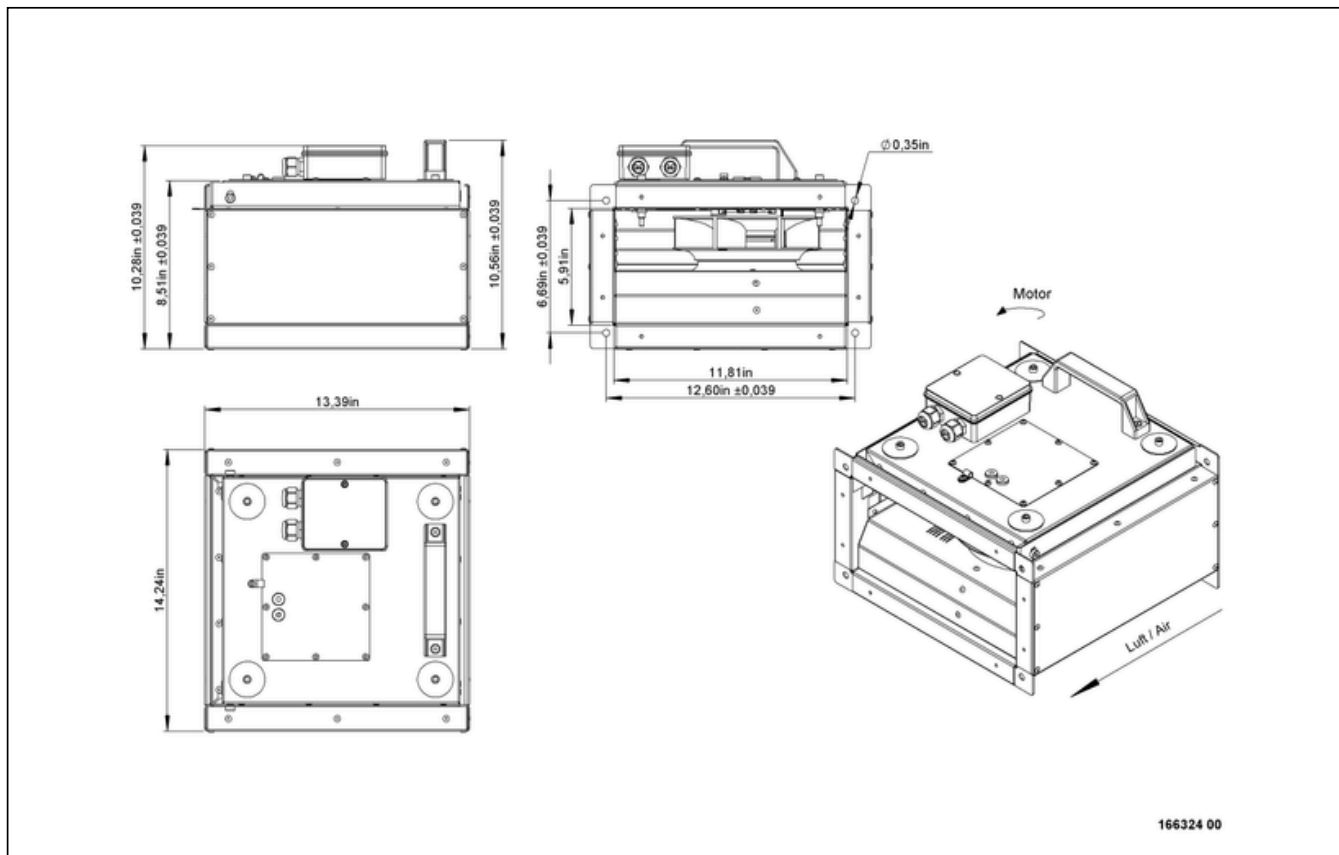
CIRCUIT DIAGRAMS / DIMENSIONAL DRAWINGS



to the product detail page

KVRI 3015 EC O K 01

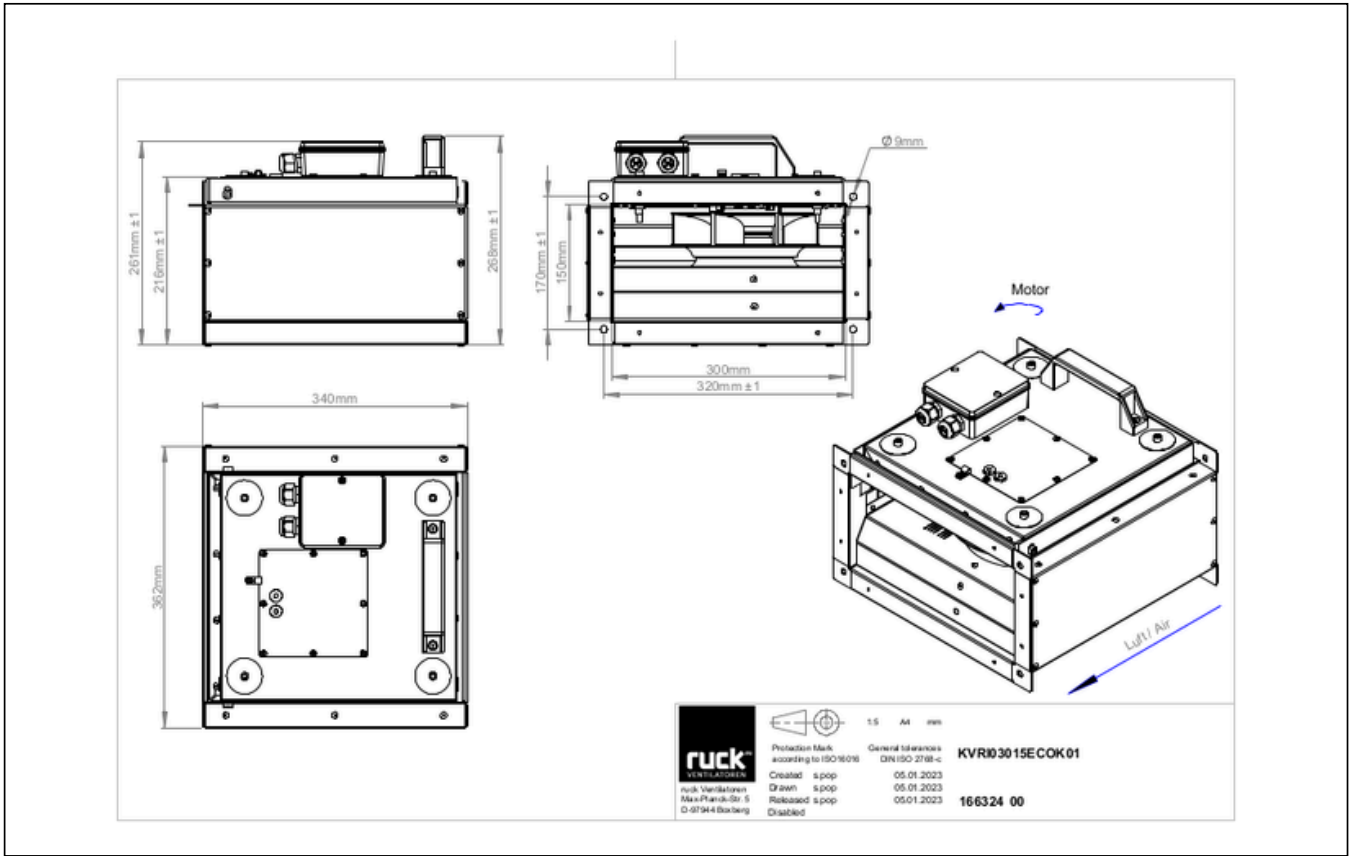
166324



to the product detail page

KVRI 3015 EC O K 01

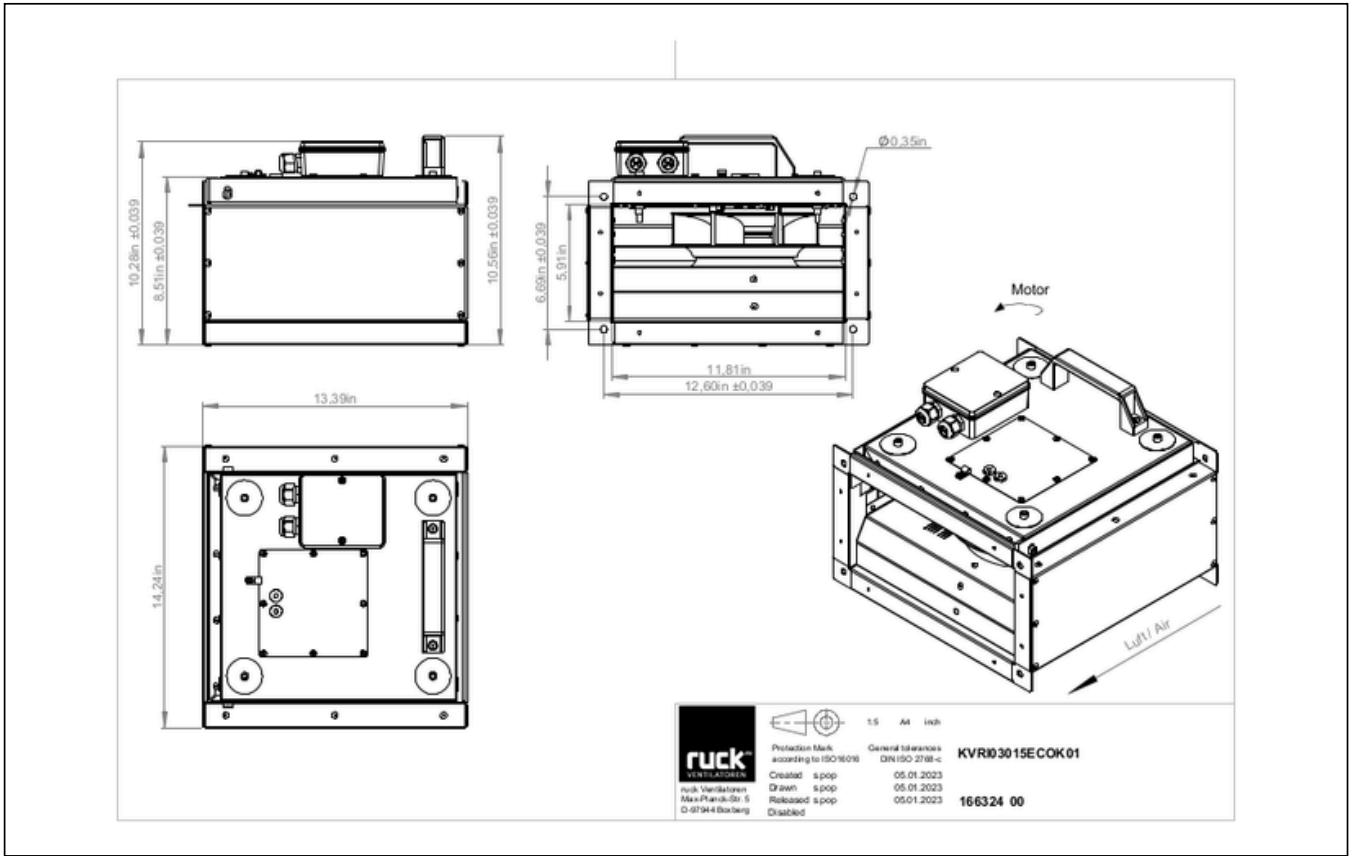
166324



to the product detail page

KVRI 3015 EC O K 01

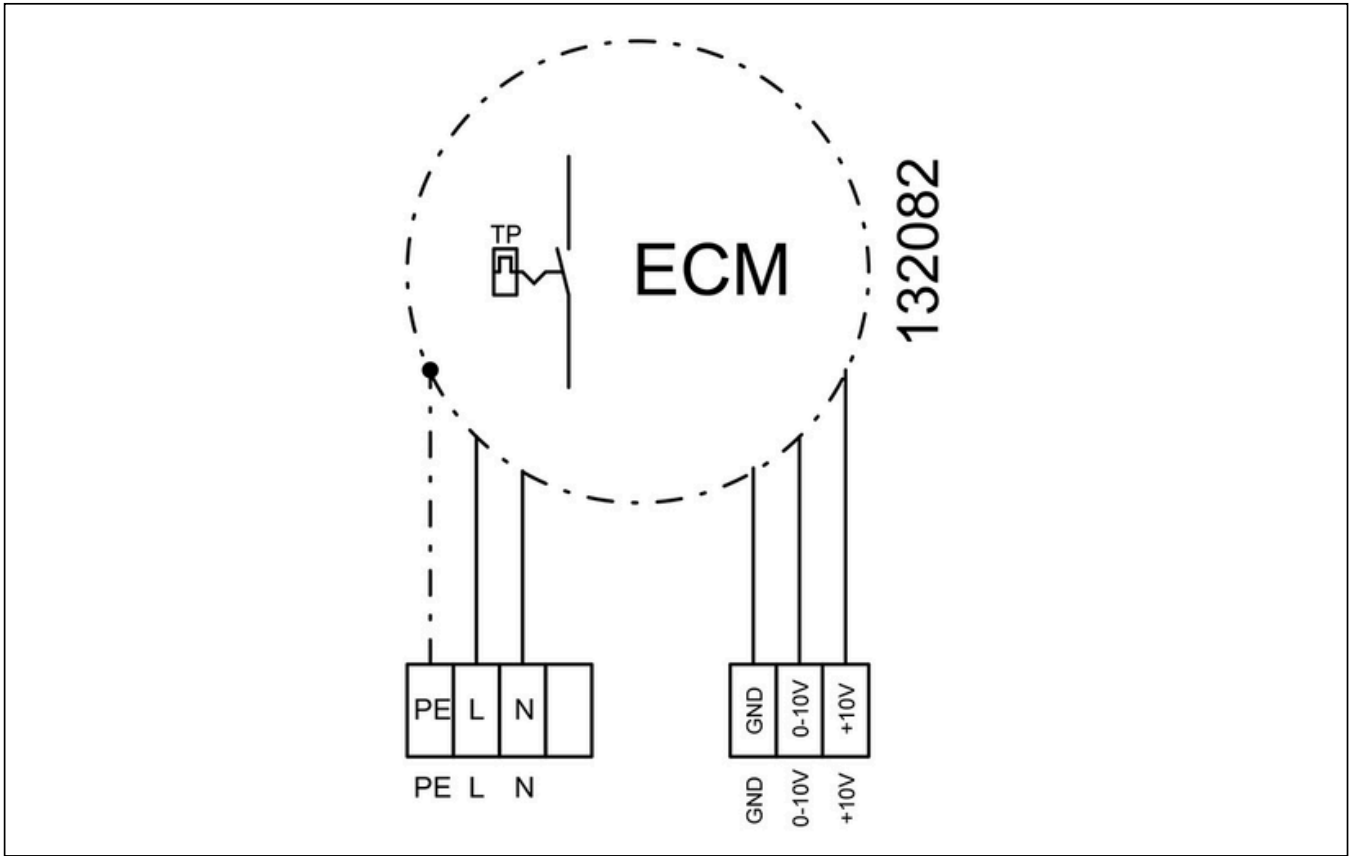
166324



to the product detail page

KVRI 3015 EC O K 01

166324



MECHANICAL ACCESSORIES

VS 3015 | 102801



- Duct connector, flexible
- Standard profile flange P20
- Galvanized steel sheet, plastic band (PVC)
- Temperature resistant up to 70 °C

VKK 3015 | 169679



- Automatic shutter
- Plastic, weather resistant
- Temperature resistant up to 70 °C



to the product detail page

ELECTRICAL ACCESSORIES

GS 03 | 107633



- Device switch
- $U_{max} = 400\text{ V}$, $I_{max} = 25\text{ A}$
- Switching capacity $400\text{ V } 3\text{-} = 7,5\text{ kW}$
- Protection class IP 55

CON P1000 | 115259



- Constant pressure control
- Actual value display possible via optional control unit
- Output 0-10 V DC + FC enable + setpoint reached
- Pressure setting by means of decade switch

MTP 20 | 128146



- Potentiometer 10 k Ω
- Switching contact 1A/250V AC - 2,5A/12V DC
- Max. ambient temperature 50 °C
- VDE

MTP 30 | 143289



- Stepped potentiometer 10 k Ω
- Step 1 + 2 settable 10 % - 100 % Vdc
- Step 3 100 % Vdc
- Supply voltage +10 Vdc

MTP 40 | 147359



- Potentiometer 10 k Ω
- Connection in terminal box
- Max. ambient temperature 50 °C
- PU: 20 pieces

MTP 50 | 168752



- Potentiometer with multifunction output
- 230 VAC $\pm 10\%$ / 50-60 Hz
- Selectable output: 1-10 VDC / 2-20 mA / 10-100 % PWM
- Min. and max. output value adjustable

