

Chrome-nickel air supply and exhaust valve

KCN



Description

KCN air valves are designed for both air supply and air exhaust ductwork. They enable smooth and precise adjustment of the air flow rate. The adjustable disk closure has been designed for high air flow performance both in air supply and air exhaust modes. The surface finish has a brushed texture. The KCN air valves have a very high aesthetic value, a long service life, and are very easy to install.

Material: stainless steel

Finish: brushed texture

Available materials — Product code examples

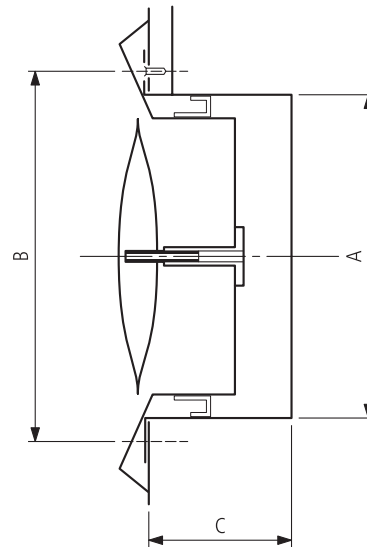
KCN - ... — brushed stainless steel

Product code example

Product code: KCN - aaa

type _____
 Ød _____

Dimensions



Ød (mm)	A (mm)	B (mm)	C (mm)	External dimension. of the air valve (mm)
100	97	118	52	140
125	120	141	52	172
150	145	162	62	216
160	155	172	62	216
200	195	208	70	293